

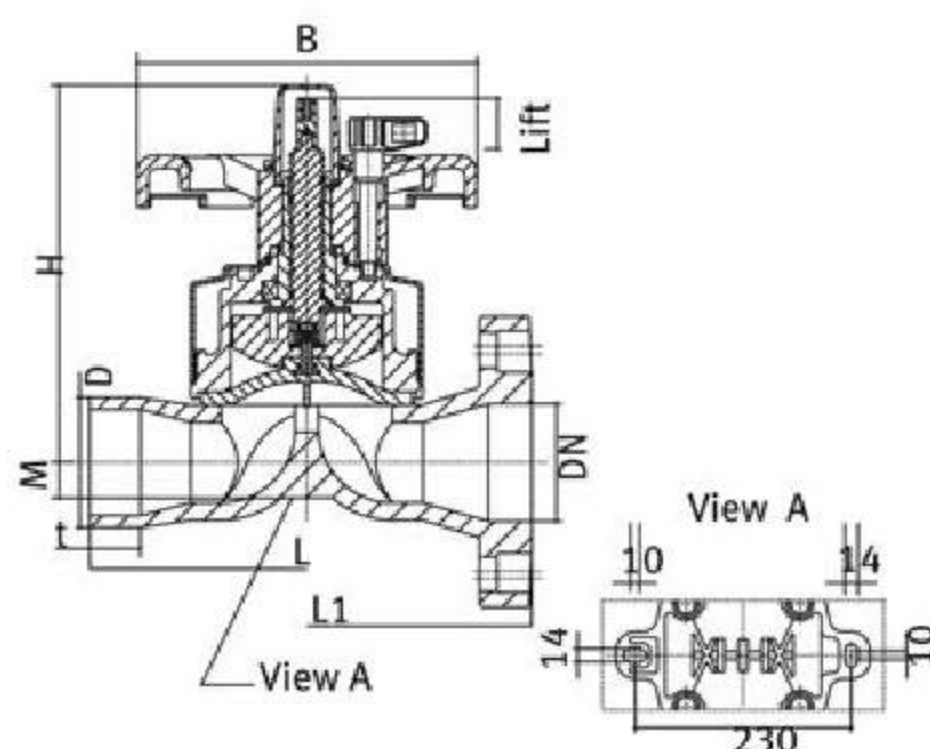
DIAPHRAGM VALVE - HAND OPERATED T4 - PVC, PP, PVDF



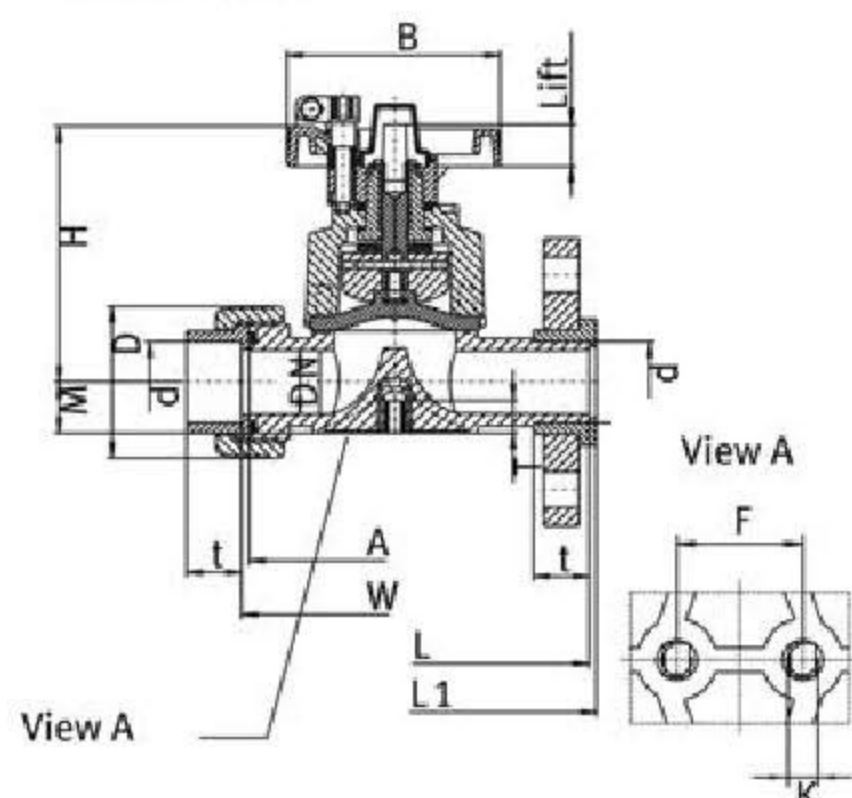
SPECIFICATIONS:

- Sizes: 1/2" (DN15/d20) - 5" (DN25/d140)
- Body material : PVC, PP (tan or natural), PVDF
- Bonnet /actuator material: PA-GF
- Sealing material: EPDM, FPM or PTFE/EPDM
- ❖ Operating pressure: 150 psi
- ❖ Connections:
 - Solvent cement socket (ASTM, DIN, JIS) PVC
 - Butt fusion ends (DIN), PP, PVDF
 - Flange (ASTM, DIN, ASA, JIS)
 - True union design 1/2" - 2"
- ❖ Features:
 - patented locking handle feature
 - corrosion resistant
 - maintenance free operation over a long working life
 - suitable for aggressive and dirty media
 - radial installation or removal
 - easy diaphragm replacement

DN 65 - DN 80



DN 15 - DN 50



Sample Specifications:

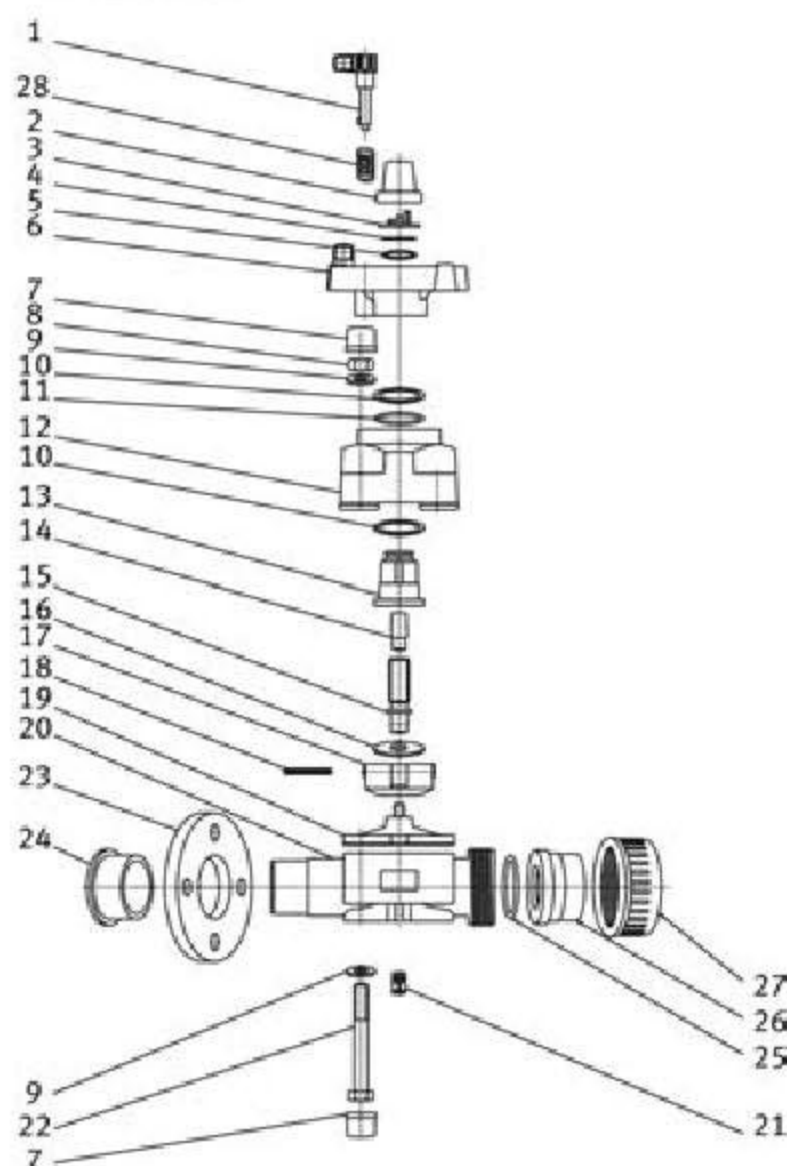
Diaphragm valves 1/2"-2" shall be of True Union design, except those with spigot or flanged connections. 2-1/2"-5" shall be of spigot end or integrally moulded flange design only. The weir design of the body shall provide a self draining function. The hand wheel shall be made from PPGF and shall have a patented spring loaded locking mechanism with up to 16 locking positions provided by the PPGF bonnet. The position indicator pin shall be protected by a clear plastic dome. Two 316 Stainless steel threaded inserts in the valve housing shall provide valve mounting capability. Diaphragms shall be made of EPDM, VITON and TEFLON with EPDM backing. EPDM shall be NSF61 compatible. PVC SHALL BE NSF61 LISTED AND MEET ASTM D1764-CELL CLASS 12454. PP SHALL BE CONFORMING TO ASTM D4101, CELL CLASS PPO2120B67272. PVDF SHALL BE CONFORMING TO ASTM 3222 CELL CLASS TYPE II.

d	20	25	32	40	50	63	75	90	110	140
DN	15	20	25	32	40	50	65	80	100	125
G	1/2"	3/4"	1"	1 1/4"	1 1/2"	2"	2 1/2"	3"	4"	5"
M	16,5	16,5	20,1	31,5	31,5	38,6	25,0	25,0	25,0	25,0
H	100,0	100,0	107,0	144,0	144,0	170,0	260,0	260,0	330,0	330,0
B	86,0	86,0	86,0	136,0	136,0	136,0	234,0	234,0	234,0	234,0
F	24,5	24,5	24,5	43,5	43,5	43,5				
Lift	9,0	9,0	11,0	22,0	22,0	28,0	35,0	35,0	45,0	45,0
K	M6	M6	M6	M8	M8	M8				
L	124,0	144,0	154,0	174,0	194,0	224,0	284,0	300,0	340,0	
L1	130,0	150,0	160,0	180,0	200,0	230,0		310,0	350,0	400,0
T	12,0	12,0	12,0	15,0	15,0	15,0				
t	28,5	36,0	36,0	38,5	46,0	46,0	37,0	37,0	50,0	
PN	10	10	10	10	10	10	10,0	10,0	10,0	10,0

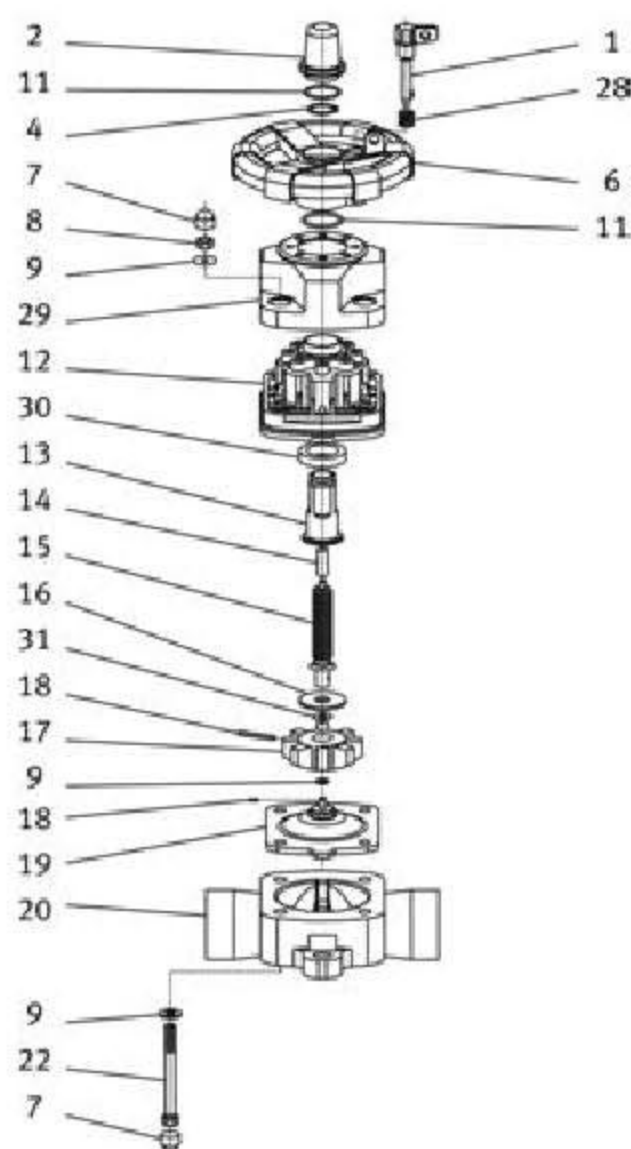
all dimensions in mm, all pressure rating PN in bar

DIAPHRAGM VALVE - HAND OPERATED T4 - PVC, PP, PVDF

DN 15 - DN 50



DN 65 - DN 80

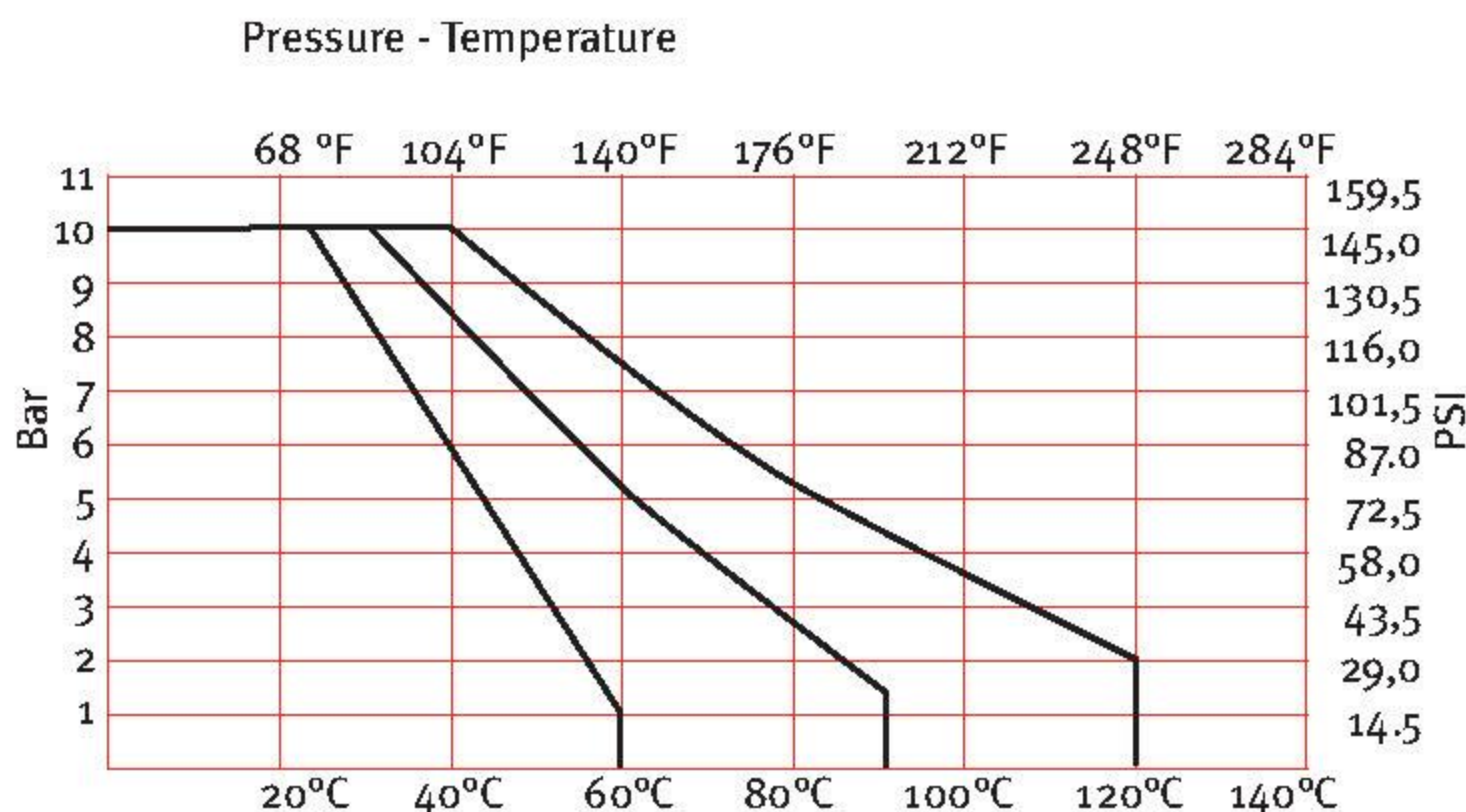
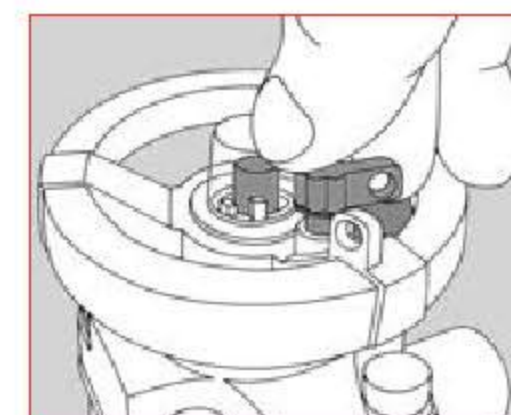
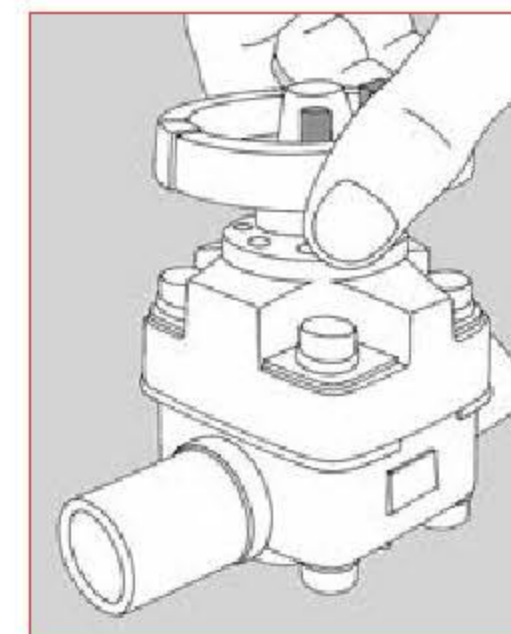
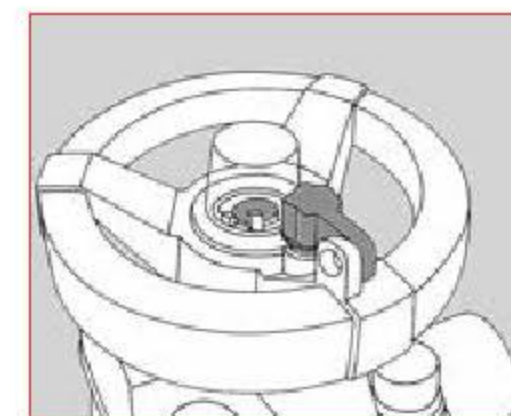


Parts:

- 01. Locking pin
- 02. Dome
- 03. Indication disk
- 04. Circlip
- 05. Shim
- 06. Hand wheel
- 07. Bolt cover
- 08. Hex nut
- 09. Washer
- 10. Bearing
- 11. O-Ring
- 12. Bonnet
- 13. Sleeve
- 14. Positioning indicator
- 15. Dowel pin
- 16. Spacer
- 17. Compressor
- 18. Dowel pin
- 19. Diaphragm
- 20. Body
- 21. Log nut
- 22. Screw
- 23. Flange
- 24. Flange socket
- 28. Spring
- 29. Cover for bonnet
- 30. Ball bearing

Material:

- POM
- ABS
- PP
- A 2
- PTFE
- PP
- PE
- A 2
- A 2
- PTFE
- EPDM
- PP-GF
- Brass
- PS
- 1.4305
- 1.4305
- PP-GF
- A 2
- EPDM
- PP
- Brass
- A 2
- PP-GF
- PP
- 1.4401
- PP
- A 2



CV VALUES

1/2"	6.5
3/4"	10
1"	16
1 1/4"	32
1 1/2"	37
2"	62
2 1/2"	91
3"	140
4"	220
5"	270