

S4 SPRING CHECK, FOOT, AERATING (VACUUM BREAKER)

VALVE - PVC, PP, PVDF

SPECIFICATIONS:

- Sizes: 3/8" - 4" (DN 10 - DN 80)
- Body material: PVC-u - PP - PVDF
- O-rings and check seal: EPDM / FPM (Viton)
- Spring material: 304 stainless, Teflon
HASTELLOY-C (optional)
- Foot valve screen material: PP

Operating pressure:

3/8" - 2 1/2" 232 psi (16bar)

3" 145 psi (10 bar)

4" 87 psi (6 bar)

Valve ends:

- Solvent cement socket (ASTM, DIN, JIS)
- Solvent cement spigot (DIN)
- Threaded socket (BSP, NPT)
- Flanged (ANSI, ASA, DIN, JIS)

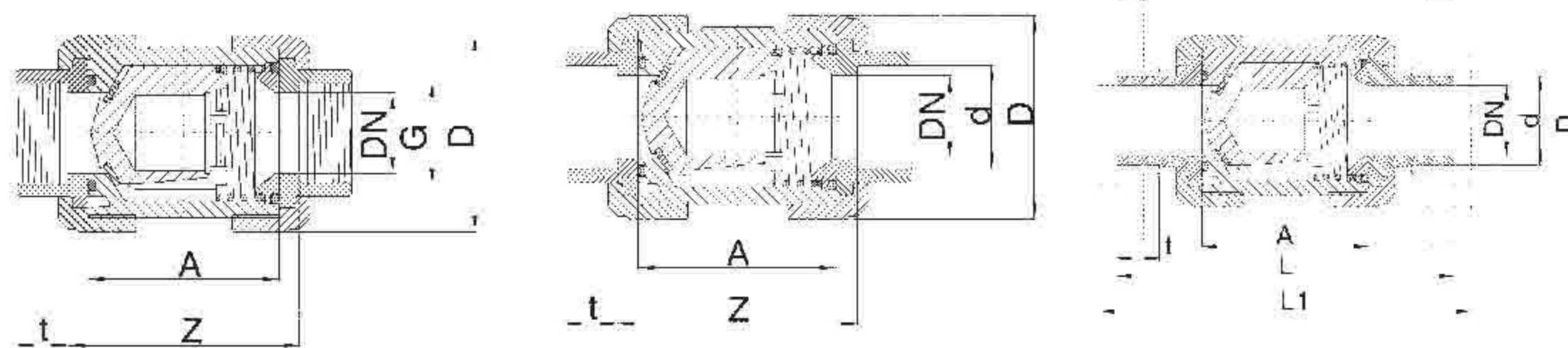
FEATURES:

- corrosion resistant
- radial installation or removal
- low pressure loss
- suitable for high flow rates
- quick and exact closing and opening
- suitable for liquids with very low specific gravity



Sample Specification:

All Praher s4 series spring check valves, sizes 3/8" - 4" shall be of true union design. The internal spring loaded check design shall guarantee leak tight seating in extreme low pressure and vertical installations. Minimum spring load of 1 lb., spring shall be 304 stainless steel, teflon encapsulated stainless steel or Hastelloy-C. All O-rings and check seals shall be EPDM or VITON and shall meet NSF61 criteria. Union ends shall be interchangeable with s4 series ball valves. PVC shall be NSF61 listed and meet ASTM D1764-cell class 12454. PP shall be conforming to ASTM D4101, cell class PP02120B67272. PVDF shall be conforming to ASTM 3222 cell class type II.



| | | | | | | | | | | |
|---------|-------|-------|-------|---------|--------|--------|-------|--------|-------|-------|
| d | 16 | 20 | 25 | 32 | 40 | 50 | 63 | 75 | 90 | 110 |
| DN | 10 | 15 | 20 | 25 | 32 | 40 | 50 | 65 | 80 | 80 |
| G | 3/8" | 1/2" | 3/4" | 1" 1/4" | 1 1/4" | 1 1/2" | 2" | 2 1/2" | 3" | 4" |
| L | 114,0 | 124,0 | 144,0 | 154,0 | 174,0 | 194,0 | 224,0 | 284,0 | 300,0 | 340,0 |
| L1 | 120,0 | 130,0 | 150,0 | 160,0 | 180,0 | 200,0 | 230,0 | 290,0 | 310,0 | 350,0 |
| A | 62,0 | 62,0 | 70,0 | 74,0 | 84,0 | 95,0 | 109,0 | 137,0 | 163,0 | 163,0 |
| Z | 67,5 | 67,5 | 76,0 | 81,0 | 90,0 | 104,0 | 121,0 | 148,0 | 183,0 | 176,0 |
| t | 16,5 | 16,5 | 19,5 | 22,5 | 26,5 | 31,5 | 38,5 | 45,0 | 55,5 | 64,0 |
| D | 53,0 | 53,0 | 63,0 | 70,0 | 85,0 | 101,0 | 121,5 | 155,0 | 188,0 | 188,0 |
| PN PVC | 16 | 16 | 16 | 16 | 16 | 16 | 16 | 16 | 10 | 6 |
| PN PP | 16 | 16 | 16 | 16 | 16 | 16 | 16 | 16 | 10 | 6 |
| PN PVDF | 16 | 16 | 16 | 16 | 16 | 16 | 16 | 16 | 10 | 6 |

all dimensions in mm, all pressure ratings (PN) in BAR

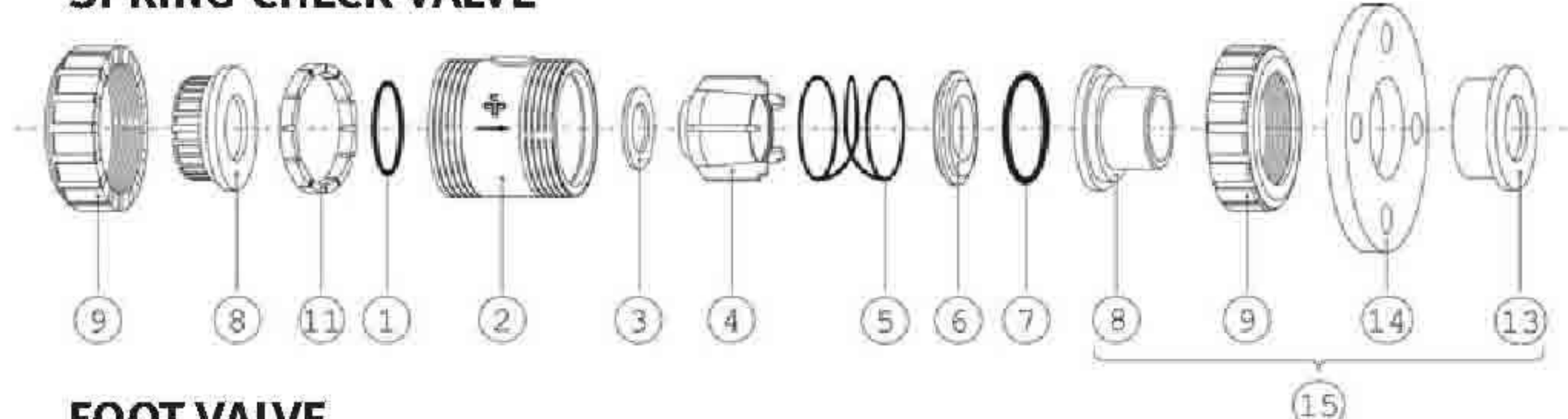
S4 SPRING CHECK, FOOT, AERATING (VACUUM BREAKER)

VALVE, PVC, PP, PVDF

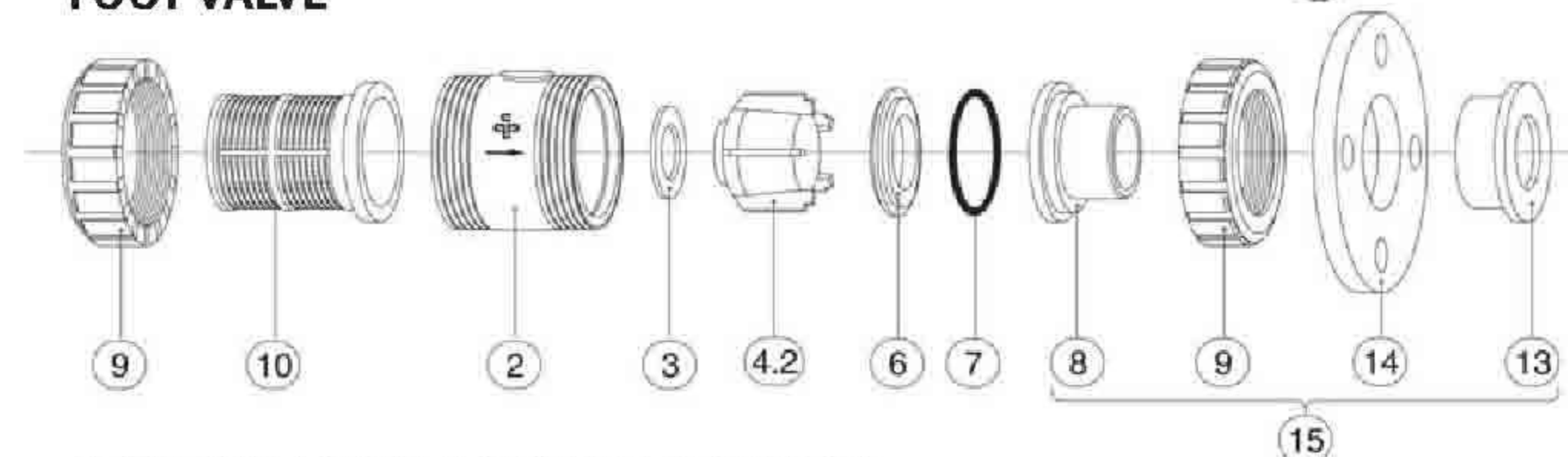
Parts:

- 01. O-Ring
- 02. Body
- 03. Gasket
- 04. Check valve poppet
- 04.1 Aerating valve poppet
- 04.2 Foot valve poppet (weighed)
- 05. Spring
- 06. Spring retainer ring
- 07. O-Ring
- 08. End Connector
- 09. Union nut
- 10. Screen PP - only foot valve
- 11. O-Ring support ring (PP valve only)
- 13. Flange adapter
- 14. Flange
- 15. Connection set

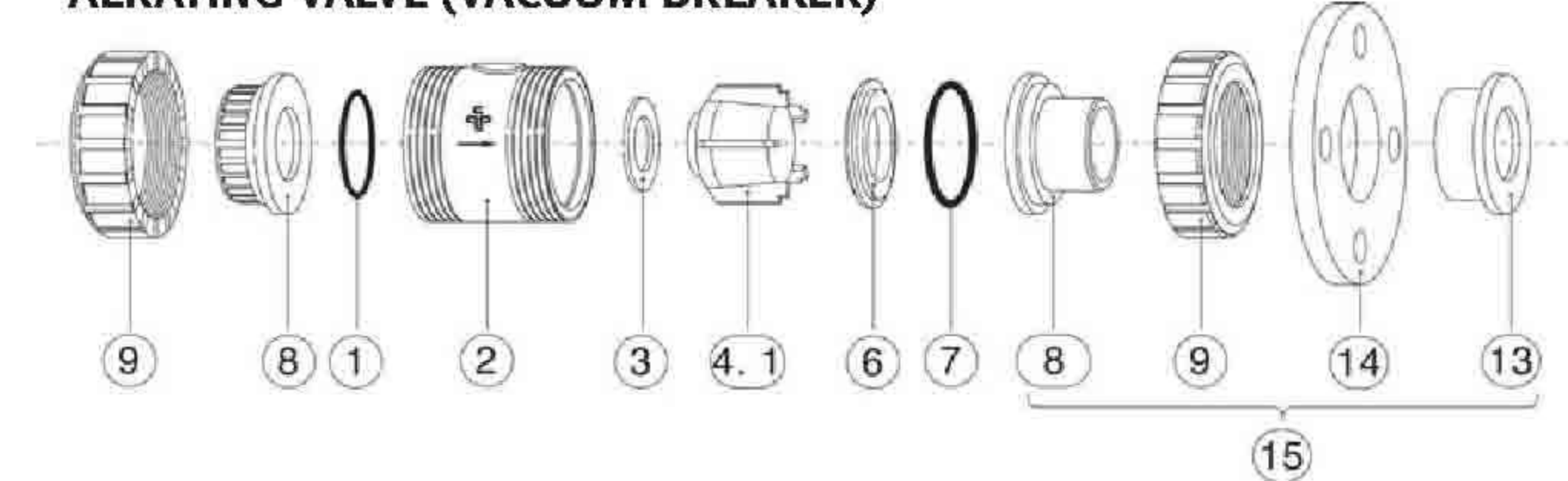
SPRING CHECK VALVE



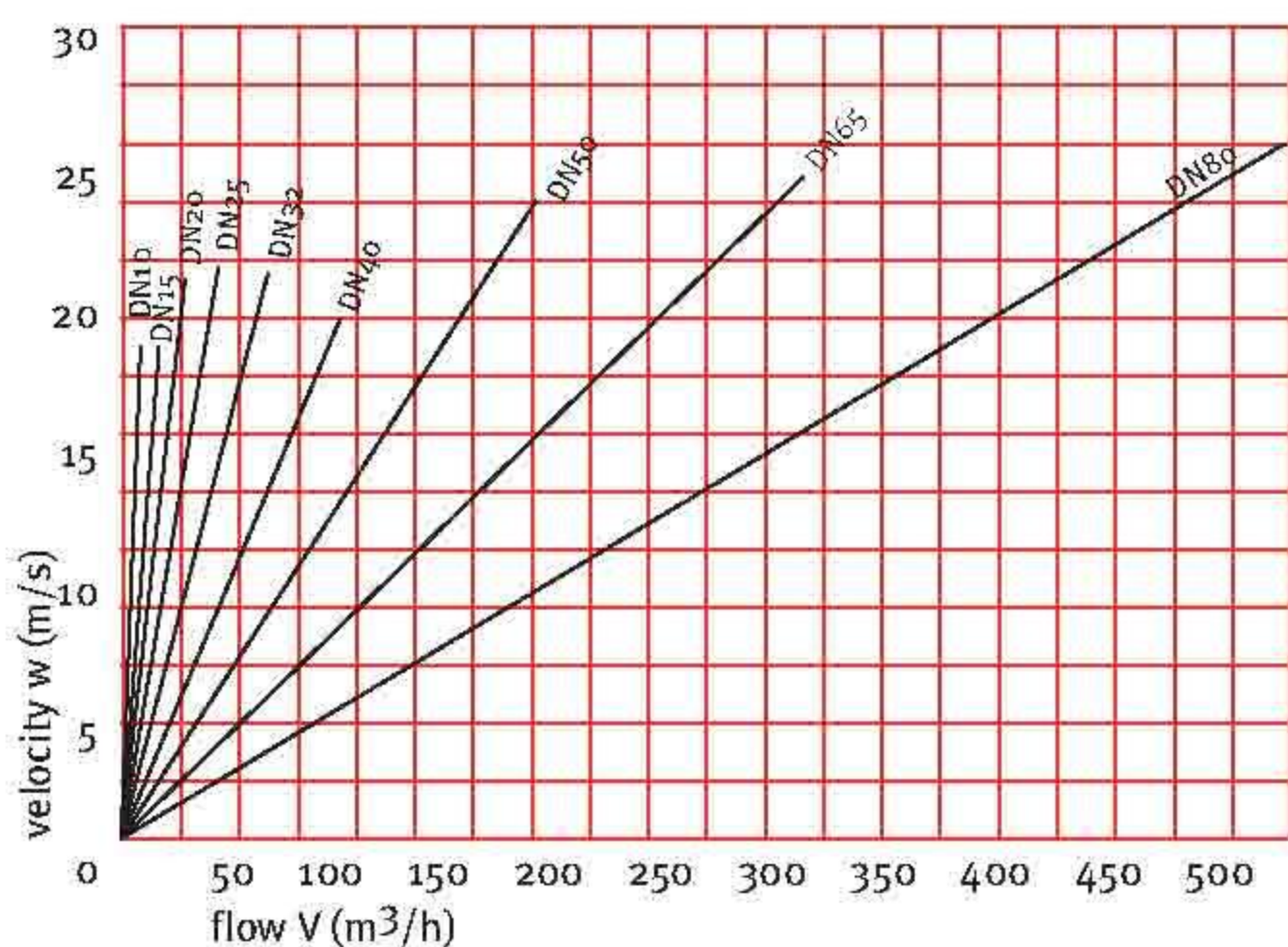
FOOT VALVE



AERATING VALVE (VACUUM BREAKER)



Air Flow Diagram (PVC Valves)



Head loss Diagram (water)

