

K₄ BUTTERFLY VALVE

SPECIFICATIONS:

Sizes:	2" to 12"
Body Materials:	PPGF standard
Disc Materials:	PVC, PP, CPVC, PVDF
Seals and O-rings:	EPDM/VITON
Pressure Rating:	150 P.S.I at 70°F

Applications:

- Water and wastewater treatment
- Contaminated and aggressive fluids
- Chemical industry
- Process technology
- Environmental technology
- Systems engineering



NEW
Colour coded ID plate

ABRASION RESISTANT PVDF DISC READILY AVAILABLE

INVENTORY MINIMIZED - STOCKING ONE BODY (PPGF RATED AT 250 F) WITH VARIOUS DISCS: PVC, PP, CPVC, PVDF

Sample Specifications:

All Praher 2" - 12" K₄ Series Butterfly Valves shall be a wafer type single piece body design rated at 150 psi (10 bar) bubble tight shut off at 70F/20C, with non-wetted metal components.

Bolt hole pattern shall conform to ANSI/ASME B16.5 Class 150 and to DIN-ISO-PN10.

Valve body shall be molded of PPGF (Polypropylene Glass Filled) with disk molded from either PVC-Type 1 cell classification 12454, CPVC-Type IV cell classification 23447, PP-Homopolymere-Beta type cell structure conforming to ASTM D-4101, PVDF-unpigmented conforming to ASTM D-3222.

The shaft shall be a high tensile stainless steel (alternatively Titanium) one piece design having an engagement over the full length of the disc.

The shaft furthermore be of blowout-proof design.

Liner and O-rings seal shall be EPDM (alternatively viton or speciality EPDM for chlorine gas applications).

EPDM materials shall be in conformance with NSF61 regulations for potable water and shall be of high tear strength.

The liner shall have V-notch retention and integrally molded flange face seal to function as a low torque gasket. The material designation (identification) of the liner shall be molded into a visible tab that extends outwards.

All valves shall be engineered and pass pressure tests according to ISO 9393-1, ISO 9393-2:2005(E).

All hardware shall be of stainless steel grade 316.

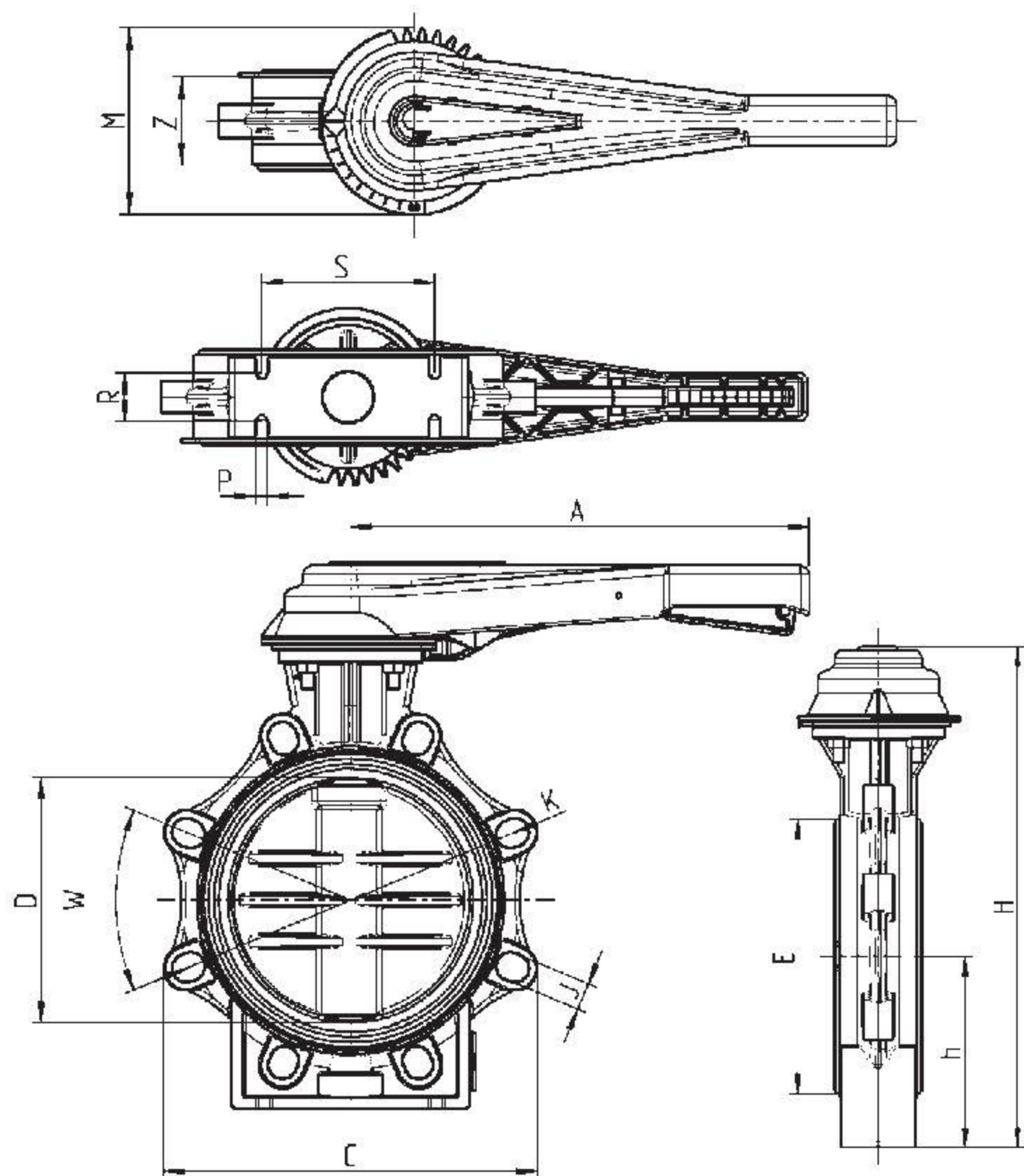
Shaft bearings shall be made from unpigmented PVDF.

All valves shall have integrated ISO actuator mounting pad with stainless steel mounting hardware.

Lockable non corrosive PPGF valve lever type handle shall be provided with each valve, enabling the disc-stem-handle assembly to be locked in each of 10 valve indexing positions. The valve handle shall be equipped with double function colour I.D. plates, whereas function one is a colour identification marking device of the process and function two being an environmental cover for handle fastening hardware (316 stainless steel).



K4 BUTTERFLY VALVE



d	75	90	110	160	225
DN	65	80	100	150	200
G	2 1/2"	3"	4"	6"	8"
A	230	230	300	386	386
D	65	80	100	150	200
C	133	176	206	261	314
B	90	45	45	45	45
H	285	292	322	396	458
h	100	100	115	147,5	175
E	98	116	146	196	251
J	127-145	146-160	175-190	235-241	290-298
K	19 x 28	18 x 24	19 x 26	23 x 26	23 x 27
L	113,0	113,0	113,0	141,0	141,0
M	114	114	114	150	150
Z	55	58	66	80	81
P	7	9	9	9	9
R	25	30	35	45	40
S	55	70	85	110	145
PSI	145	145	145	145	145

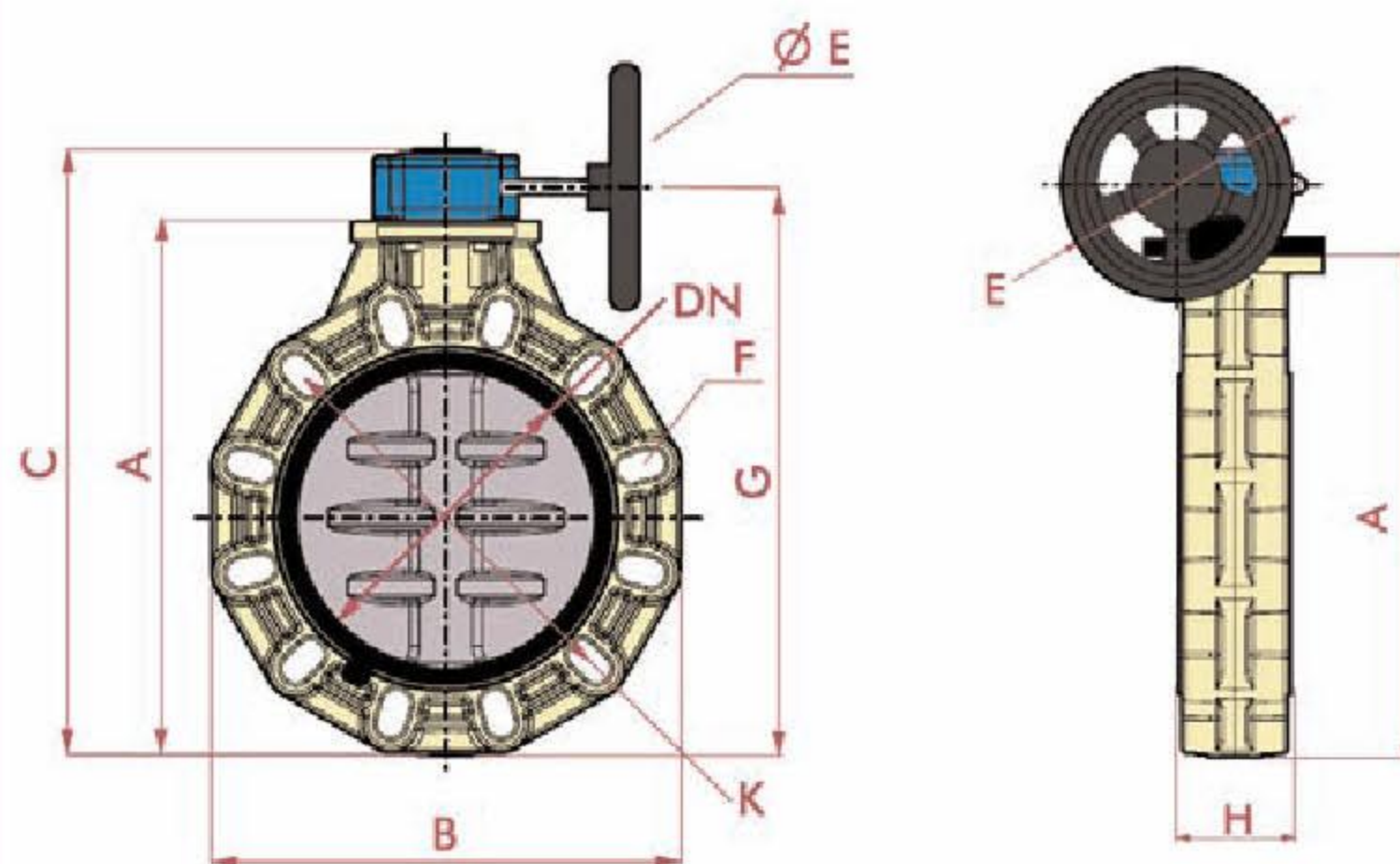
All dimensions in mm. Consult factory for electric or pneumatic automation.

K4 Butterfly Valve – Cv Value

2" (DN50)	125
2 1/2" (DN65)	240
3" (DN80)	290
4" (DN100)	475
6" (DN150)	1120
8" (DN200)	2500
10" (DN250)	3850
12" (DN300)	5680

K4 Butterfly Valve – Torque Rating

Torque: inch/lbs	
2" (DN50)	130.50
3" (DN80)	174
4" (DN100)	261
6" (DN150)	652.50
8" (DN200)	1131
10" and 12" consult factory	



D	DN	A	B	E	C	F	G	H	K	holes
63-75	63	190	156	160	245	18	218	48	125-145	4
90	80	221	190	160	276	19	249	52	150-170	8
110	100	244	212	160	299	19	272	59	180-192	8
125-140	125	273	238	160	328	22	301	66	190-215	8
160	150	303	265	160	358	24	331	72	240	8
200-225	200	366	320	310	421	23	394	73	270-298	8
250-280	250	450	453	310	525	29	488	114	335-362	12
315	300	545	477	310	616	29	578	114	390-432	12