

3" PVC 3 PORT ROTARY DIVERTER VALVE

SPECIFICATIONS:

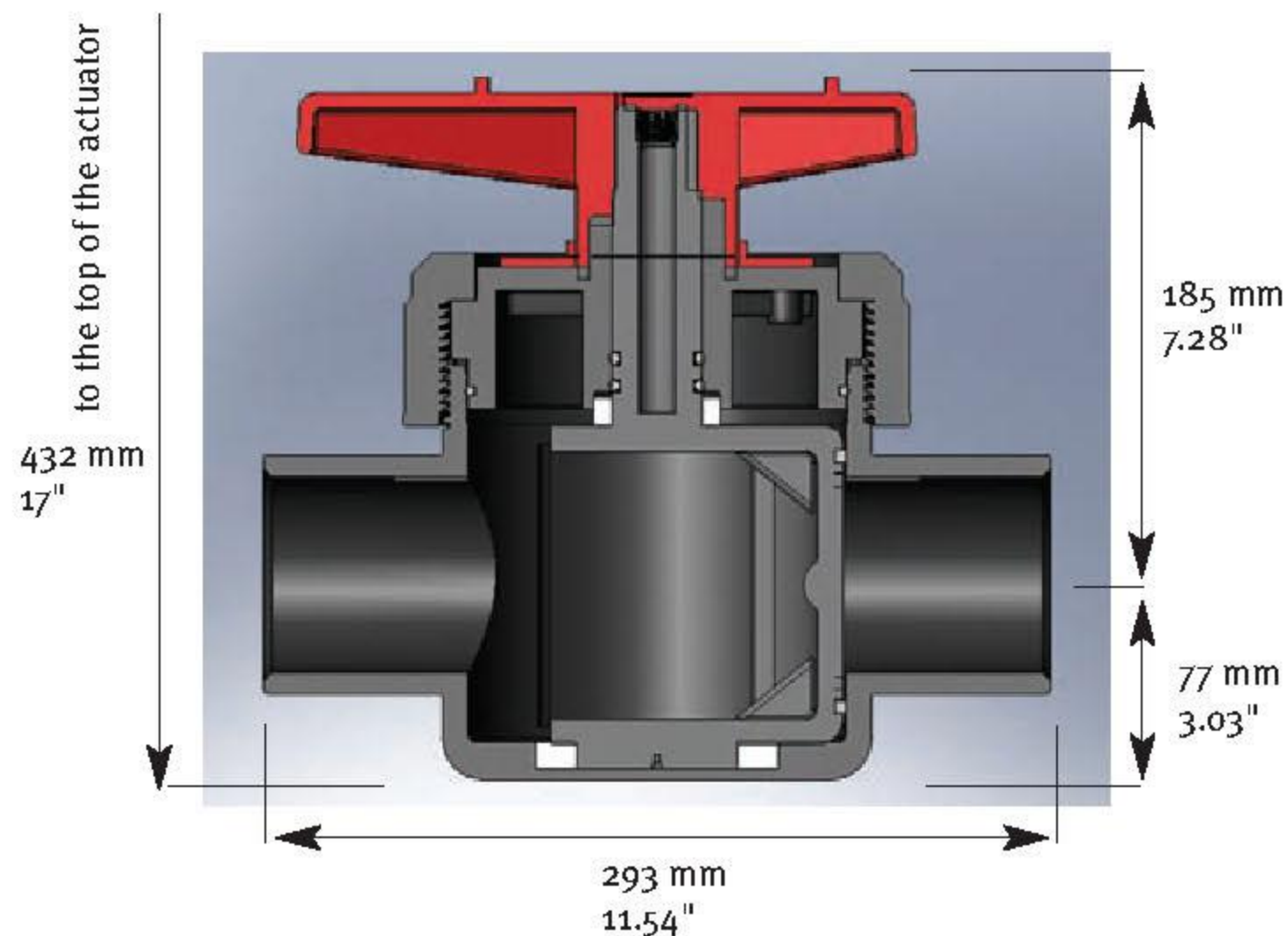
Size:	2.5" socket - 3" spigot
Material:	Body, cover, nut, NSF approved PVC-grey
Rotor:	NSF approved glass reinforced Polyphenylene oxide
O-rings:	NSF approved EPDM
Rotor seal:	NSF approved low friction ethylene elastomere
Rotor load bearings:	NSF approved low friction polyoxymethylene
Pressure rating:	50 psi with full seal back pressure rating
Vacuum rating:	29 inch mercury Burst pressure: 500 psi
Flow rating:	400 GPM @ 4.4 psi head loss

FEATURES:

- Easy read valve position indicator
- Low friction elastomeric seal with full vacuum rating
- High strength diverter with precision machined load bearings
- Easy valve servicing with spin off union nut - no special tools required
- Double shaft seal O-rings
- Patented rotor seal de-energizing chamber for "off service position"
- Patented internal "ANTI SEAL PINCH" design
- Electric Actuator package 24 VAC or 110 VAC –
(600 inch pounds torque, amps drawn for 24 VAC = 2.6, 110 VAC = 1.0)
- Easy actuator retrofitting
- Rugged Handle design
- Multiple (4) indexing positions for common port selection
- Made in Canada



3" PVC 3 PORT ROTARY DIVERTER VALVE



FLOW/HEAD LOSS DATA - OV3-3000 in 90° flow pattern

Flow rate USGPM	Head loss in FT	Head loss in PSI
150	1.4	0.6
200	2.5	1.1
250	4	1.73
300	5.75	2.49
350	7.8	3.4
400	10	4.4

Description	Part #
Manual valve	OV3-3000
Actuated valve incl actuator 24 VAC	OV3-3024
Actuated valve incl actuator 110 VAC	OV3-30110
Actuator only with mounting hardware	LCR-600-110 (110 VAC)
Actuator only with mounting hardware	LCR-600-24 (24 VAC)

POSSIBLE FLOW VARIATIONS FOR 3-WAY VALVES

Valve may be installed on suction or discharge side of system. Flow arrows, for simplicity, represent valve as installed on discharge side of pump.

