

# S6 BALL VALVE - 2-WAY - TRUE UNION PVC

<b>Materials:</b>	PVC (grey) - Type 1, grade 1
<b>Ball seats:</b>	PTFE (Teflon) or HDPE (High density polyethylene)
<b>O-rings:</b>	EPDM (NSF 61) or FPM (Viton)
<b>Handle:</b>	ABS
<b>End connections:</b>	SOCKET or FNPT (threaded) SCH80
<b>Pressure rating:</b>	at 22° C: 232 psi (1/2" - 2"), 146 psi (2.5" - 3"), 90 psi (4")

## Sample Specifications:

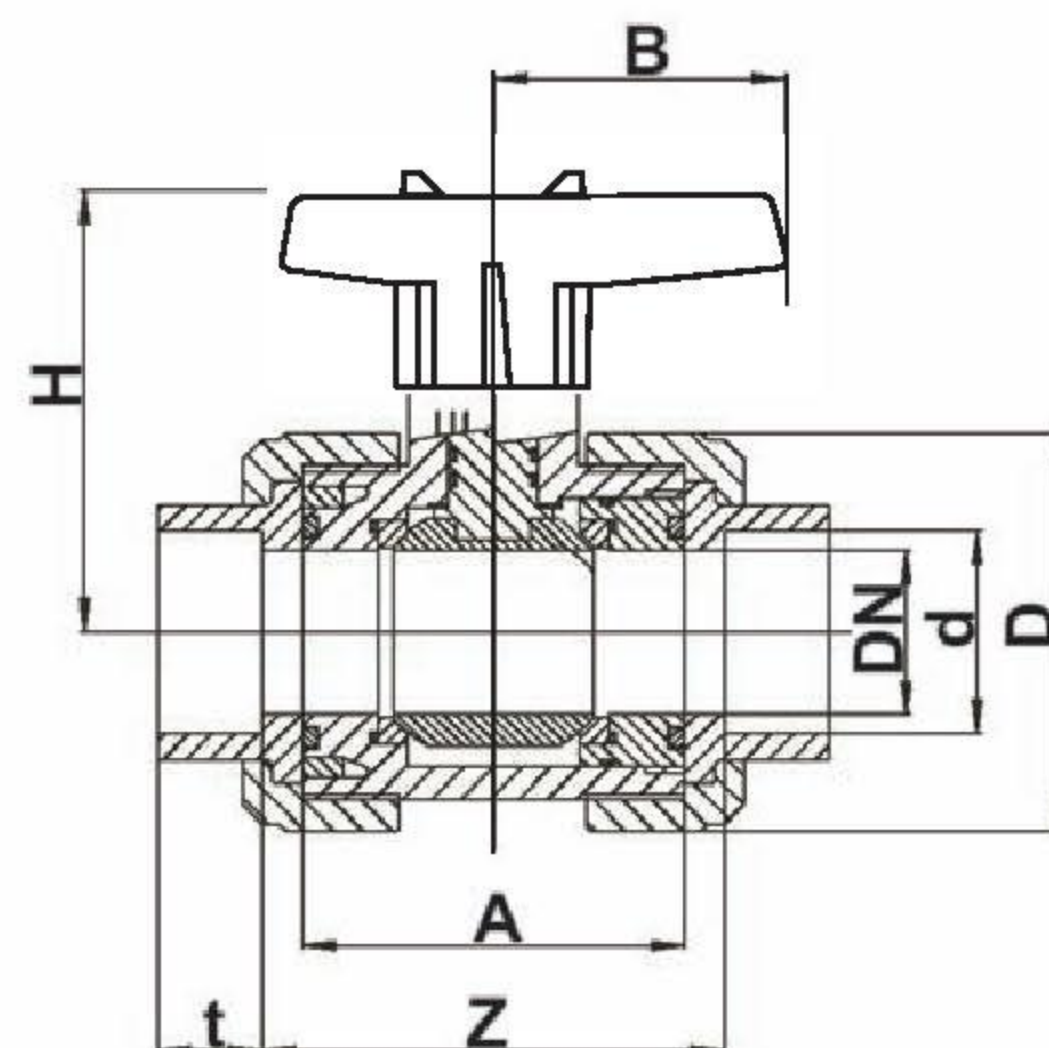
S6 series ball valves shall be of True union design with multi directional blocking capability. The valve handle shall be used as a tool to remove or adjust the valve seat carrier. The valve stem shall be of blow out design and equipped with two O-rings.

A "floating" ball-stem engagement design shall increase seating pressure between ball and ball seats in closed position.

All valves shall have max. pressure ratings and series identification molded in exterior wall of body. Valves shall be produced in ISO 9001-2000 certified facility and meet design criteria for thermoplastic PVC valves per DIN 3441-T1. O-rings shall be EPDM or VITON and meet NSF61 criteria. PVC shall be in conformance with NSF61 and meet ASTM D1764-Cell-- Class 12454.

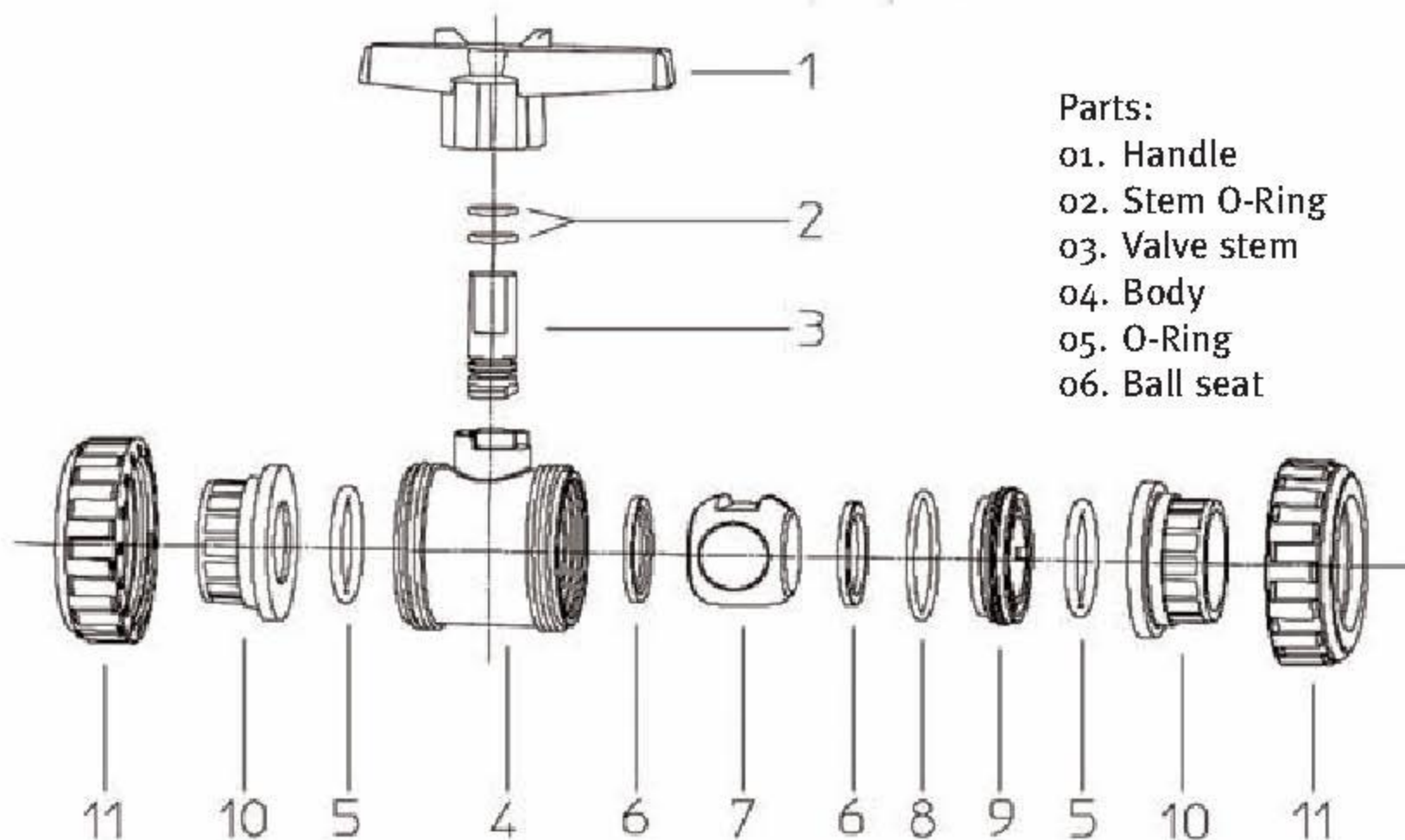
## FEATURES:

- Handle can be used as tool to adjust threaded seal carrier.
- Double stem O-ring
- Available with both threaded and socket ends up to 2"
- Manufactured in ISO 9001-2000 facility



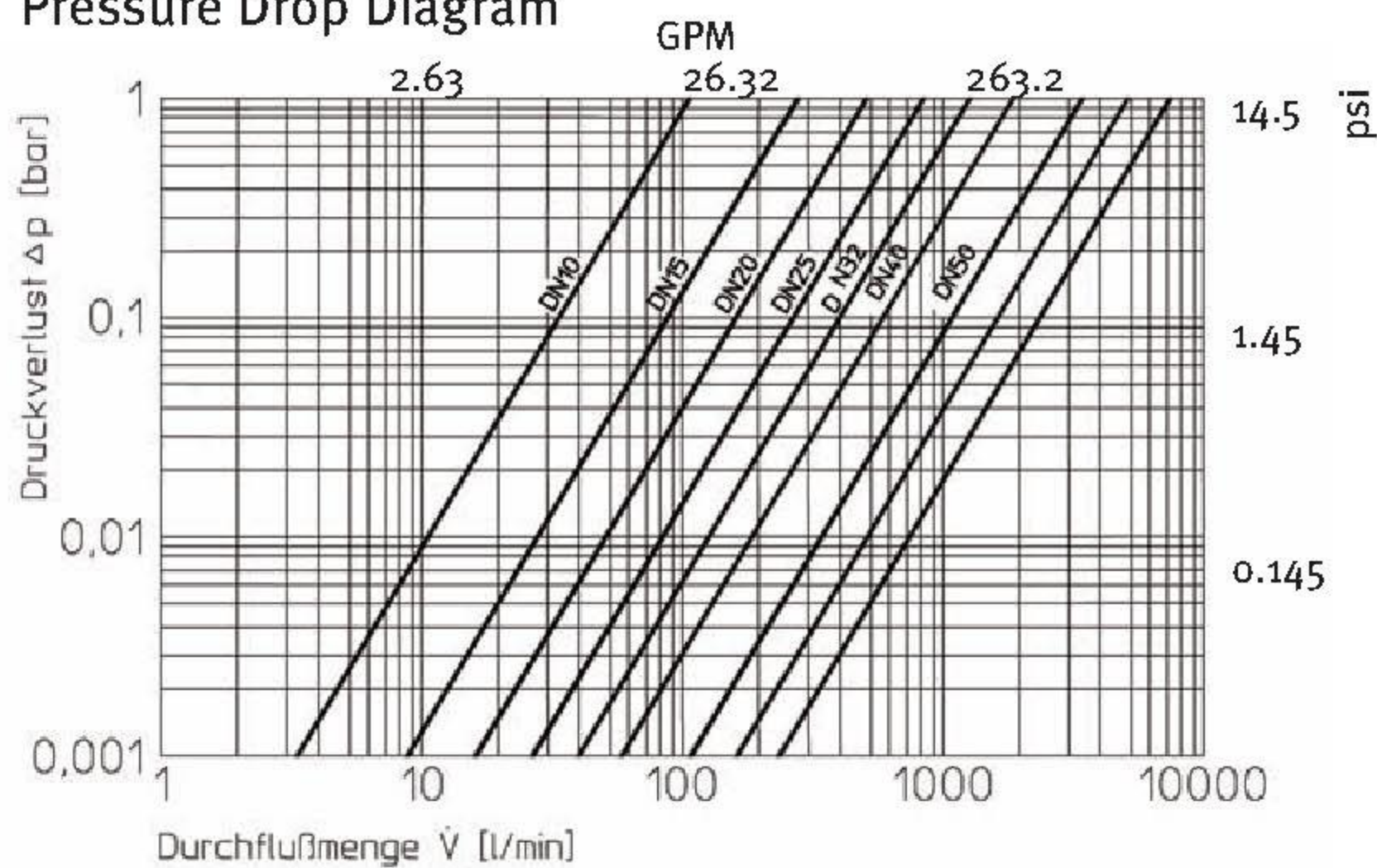
d	mm	16	20	25	32	40	50	63	75	90
G	inches	3/8	1/2	3/4	1	1 1/4	1 1/2	2	2 1/2	3
A	inches	1.77	1.77	1.97	2.0	2.36	3.07	3.46	5.35	6.42
Z	inches	1.89	1.89	2.13	2.24	2.76	3.19	3.78	5.83	7.24
t	inches	0.65	0.65	0.77	0.89	1.04	1.24	1.52	1.75	2.15
D	inches	2.2	2.2	2.4	2.76	3.35	3.98	4.53	5.91	7.4
H	inches	1.89	1.89	1.97	2.26	3.07	3.62	3.94	5	6.3
B	inches	1.67	1.67	2.16	2.16	2.56	2.95	2.95	4.37	5.24
Weight	lbs	0.31	0.31	0.48	0.62	1.15	1.59	2.31	6.21	11.87
Cv value	GPM	5	12	24	48	66	110	190	366	518

# S6 BALL VALVE - 2-WAY - TRUE UNION PVC

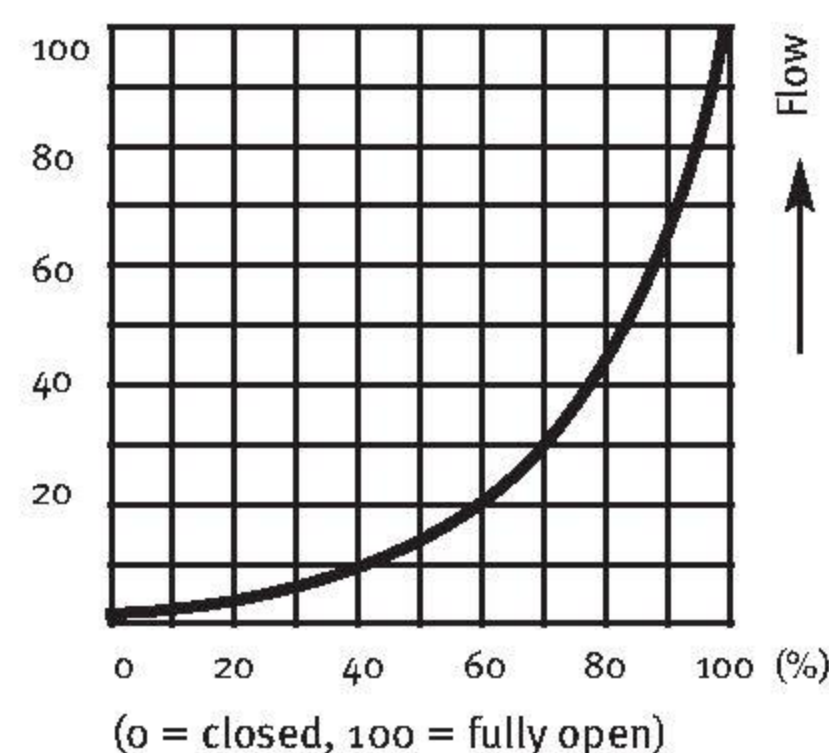


- Parts:
- 01. Handle
  - 02. Stem O-Ring
  - 03. Valve stem
  - 04. Body
  - 05. O-Ring
  - 06. Ball seat
  - 07. Ball
  - 08. O-Ring
  - 09. Seat carrier
  - 10. End connections
  - 11. Nut

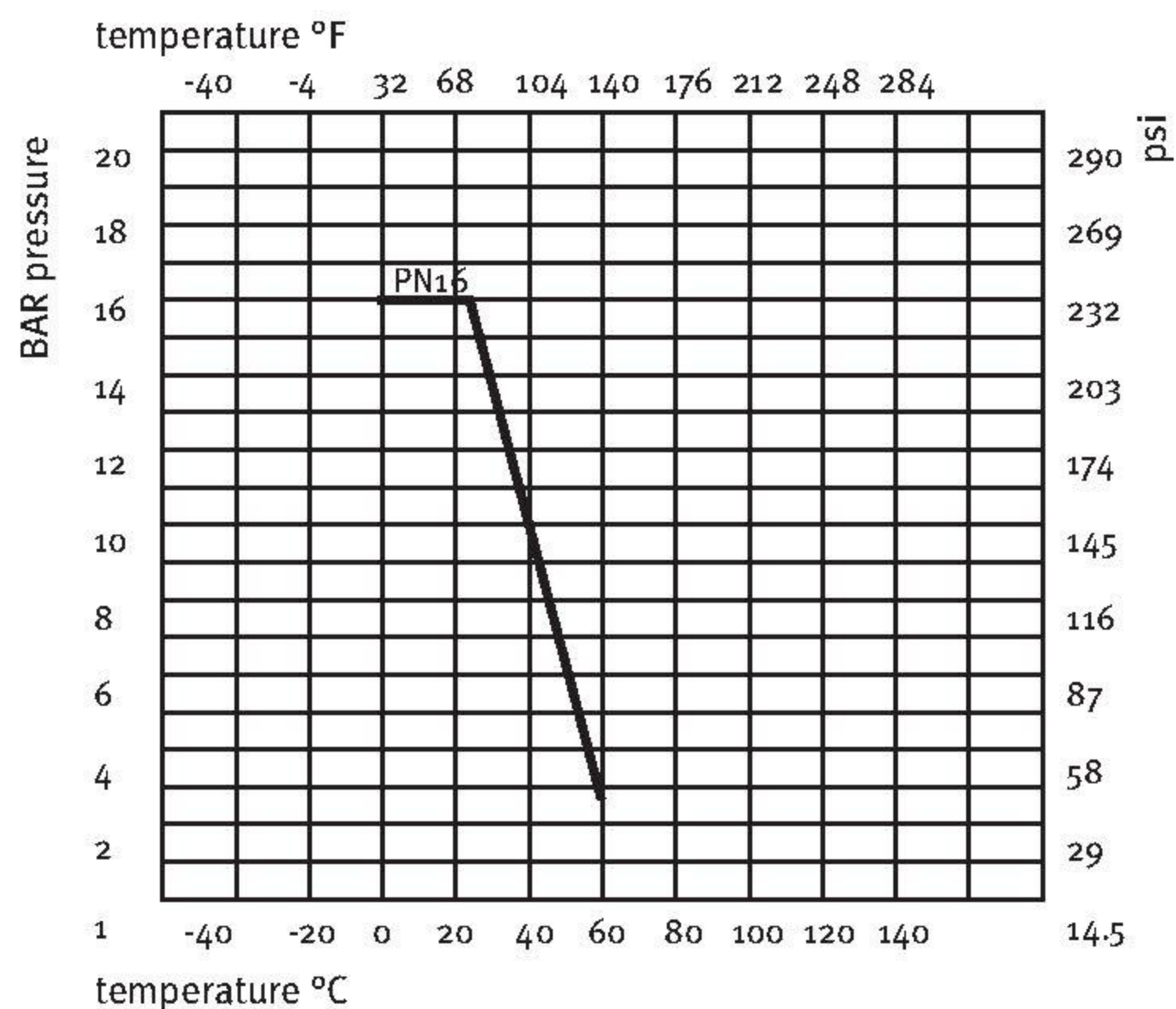
Pressure Drop Diagram



Factor characteristics



Pressure-Temperature Diagram



Torque

