

S4 BALL VALVE - 2 WAY - HAND OPERATED PVC, CPVC, PP, PVDF

SPECIFICATIONS:

Sizes: 3/8" - 4" (DN 10 - DN 80)

Body material: PVC, CPVC (Corzan), PP, PVDF

O-rings: EPDM or FPM (Viton)

Ball seats: PTFE (Teflon®)

Operating pressure (20°C / 70°F):

3/8"- 2 1/2" 232 psi / 16 bar (DN 10 - DN65)

3" (DN 80) / 145 psi / 10 bar

4" (DN 80) / 87 psi / 6 bar

6" also available, please consult factory.

Valve ends:

- PVC & CPVC socket ends (ASTM, DIN, JIS)
- Threaded ends (NPT, BSP) PVC, CPVC, PP & PVDF
- PP + PVDF Fusion socket (ASTM, DIN)
- PP + PVDF Fusion spigot (DIN)
- Flanged connection (ANSI, ASA, DIN, JIS)

FEATURES:

- Safety handle system
- Colour coded ID plates (interchangeable) on handles
- Bi-directional flow (true union design)
- Dual function handle/spanner wrench
- Full port (per DIN/Metric) - high flow rates
- High precision machined ball
- Energized (O-rings) teflon ball seats
- Available with Praher modular actuator mounting system
- Eyelet for valve tagging
- Double stem O-ring
- In-line micro adjustment of ball seat

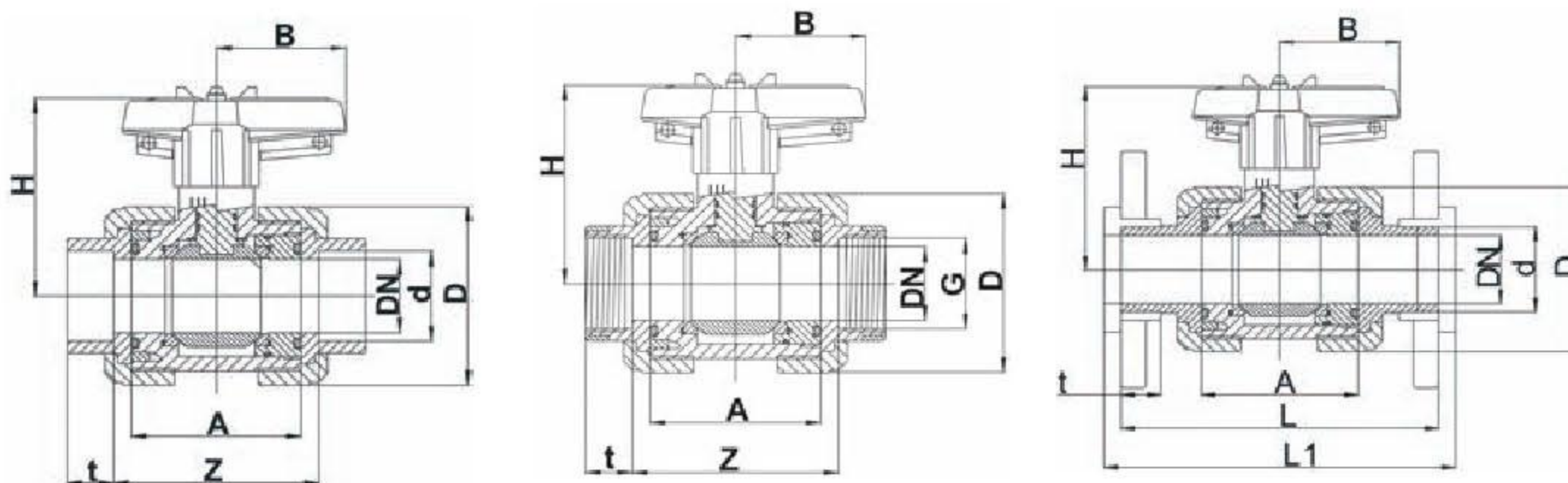
CRN
REGISTERED



Sample Specifications:

All Praher S4 series thermoplastic Ball Valves, sizes 3/8" - 4", shall be of true union design with a two directional blocking capability. Valve stems shall be of blowout-proof design with a double O-ring seal. All valve handles shall be of PPGF construction with an integrated locking mechanism to lock valve in closed position. All handles shall be usable as a tool to remove or adjust seal carrier, and shall be fastened to valve stem with 316SS hardware.

All O-rings shall be EPDM or VITON and shall meet NSF61 criteria or NSF61 approved. Teflon ball seats shall be cushioned with backing O-rings that will compensate for minor ball and seat wear. PVC shall be NSF 61 approved or listed and meet ASTM standard D1784, cell class 12454. CPVC shall be NSF 61 approved or listed and meet ASTM standard D1784, cell class 23447. PP shall be conforming to ASTM D4101, cell class PP0210B67272 and shall be available in tan or translucent. PVDF shall be conforming to ASTM3222 cell class Type II.



d	16	20	25	32	40	50	63	75	90	110
DN	10	15	20	25	32	40	50	65	80	80
G	3/8"	1/2"	3/4"	1"	1 1/4"	1 1/2"	2"	2 1/2"	3"	4"
L	4.5	4.9	5.4	6.1	6.9	7.6	9.6	11.2	11.8	13.4
L1	4.7	5.1	5.9	6.3	7.1	7.9	9.1	11.4	12.2	13.8
A	2.4	2.4	2.8	2.9	3.3	3.7	4.3	5.4	6.4	6.4
Z	2.7	2.7	3	3.2	3.5	4.1	4.8	5.8	7.2	6.9
t	0.65	0.65	0.77	0.89	1.04	1.24	1.52	1.77	2.19	2.52
D	2.1	2.1	2.5	2.8	3.3	4.0	4.8	6.1	7.4	7.4
H	2.8	2.8	3.1	3.2	3.9	4.2	4.6	5.7	6.4	6.4
B	1.58	1.58	2.0	2.0	2.5	2.9	3.3	4.3	5.2	5.2
psi PVC	232	232	232	232	232	232	232	232	145	87
Weight	0.48	0.48	0.73	0.9	1.3	2.3	3.4	7.1	12.0	12.0
psi PP	145	145	145	145	145	145	145	145	87	87
Weight	0.4	0.4	0.5	0.6	1.0	1.6	2.4	5.0	8.5	8.5
psi PVDF	232	232	232	232	232	232	232	232	145	87
Weight	0.6	0.6	0.9	1.1	1.7	2.7	4.1	8.6	14.4	14.4

dimensions in inches, weights in pounds, CPVC data to follow



NEW

Colour coded ID plate

PRAHER
VALVES

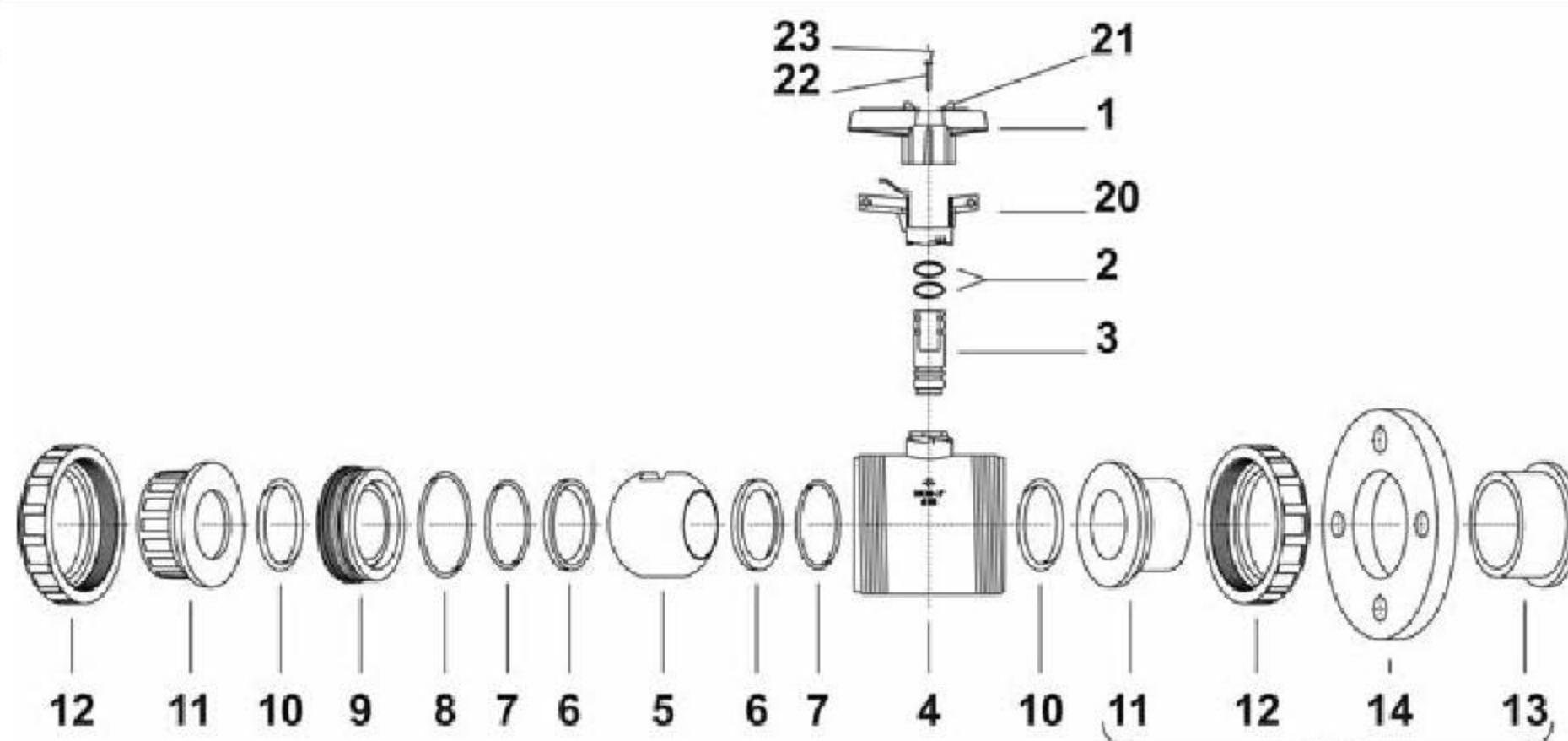
S4 BALL VALVE - 2 WAY - HAND OPERATED PVC, CPVC, PP, PVDF

Factor of flow Kv

d	DN	G	Kv ₁₀₀
MM	MM	Zoll inches pouces	l/min
16	10	3/8"	
20	15	1/2"	275
25	20	3/4"	505
32	25	1"	830
40	32	1 1/4"	1260
50	40	1 1/2"	1840
63	50	2"	3400
75	65	2 1/2"	5300
90	80	3"	7400

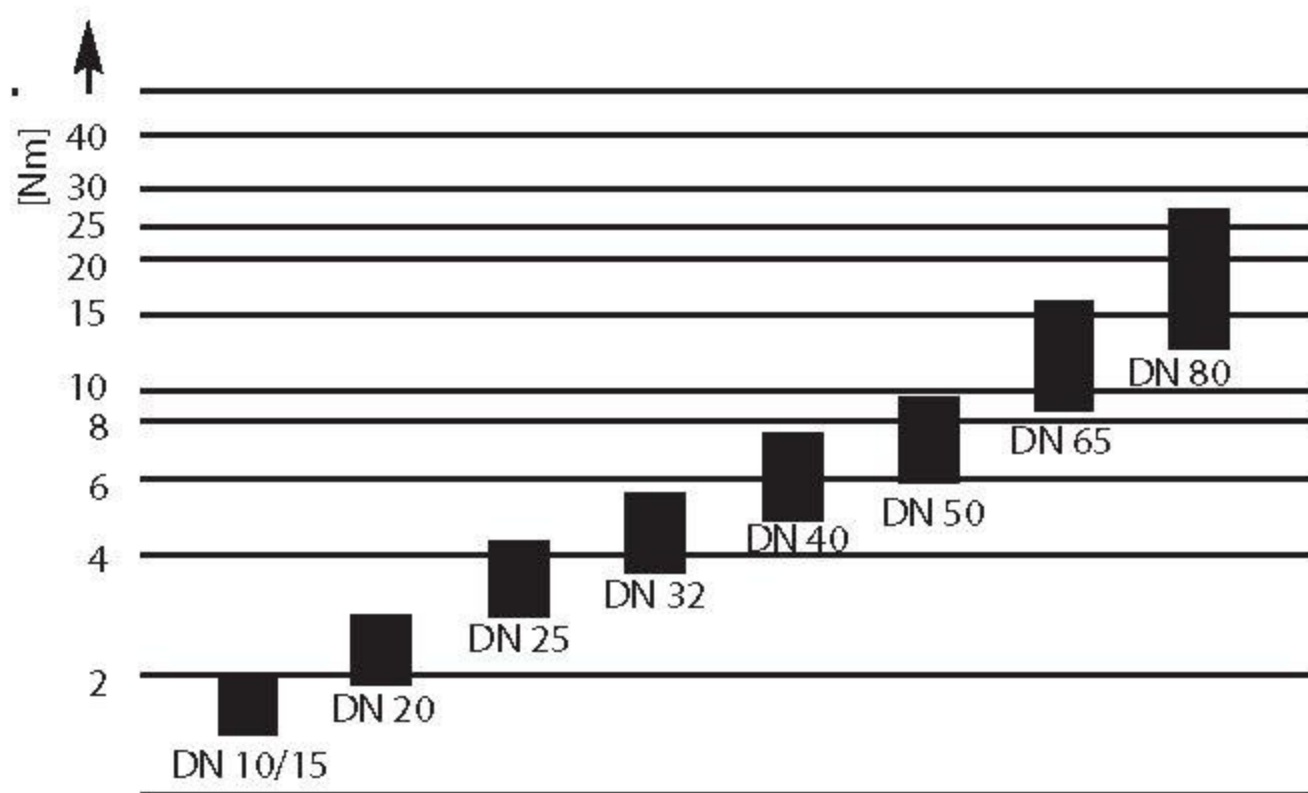
with water at 20° C p = 1 bar

	Kv	Cv	F
Kv	1	14.28	17.09
Cv	0.07	1	1.1966
F	0.0585	0.8357	1



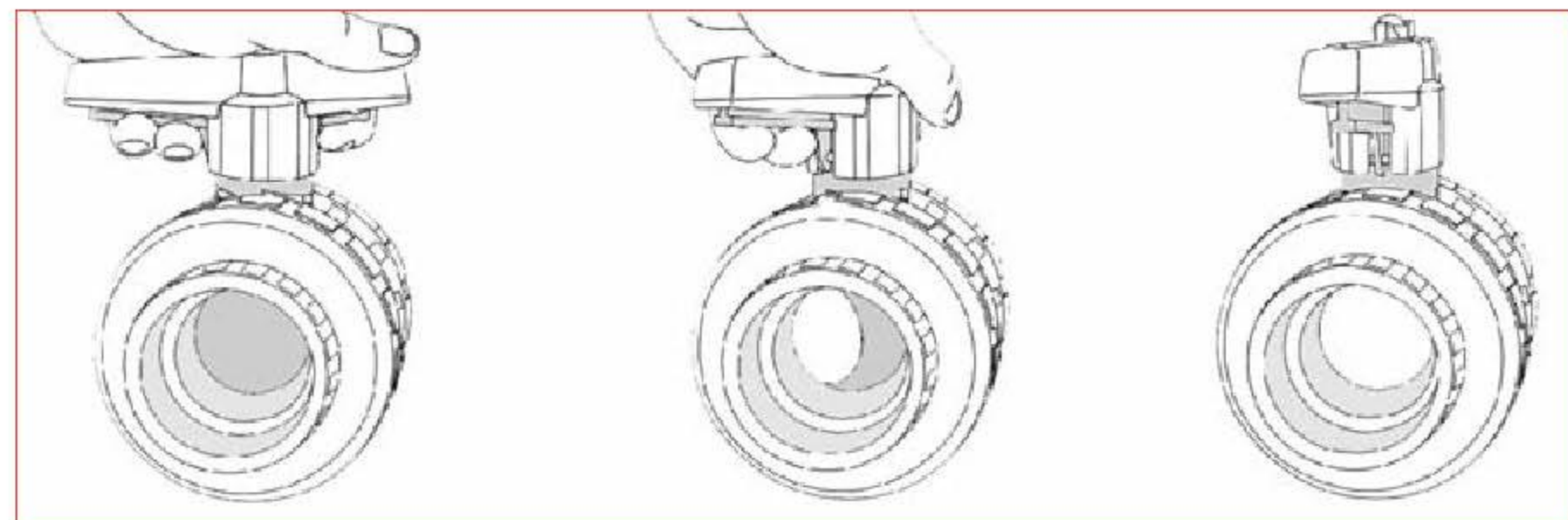
- Parts:
- 01. Handle
 - 02. Stem O-Ring
 - 03. Valve stem
 - 04. Body
 - 05. Ball
 - 06. Ball seat
 - 07. O-Ring
 - 08. O-Ring
 - 09. Seat carrier
 - 10. O-Ring
 - 11. Connections
 - 12. Nut
 - 13. Flange adapter
 - 14. Flange
 - 16. Connection set
 - 20. Spring loaded locking sleeve
 - 21. Spigot
 - 22. Screw
 - 23. Cover for screw

Torque

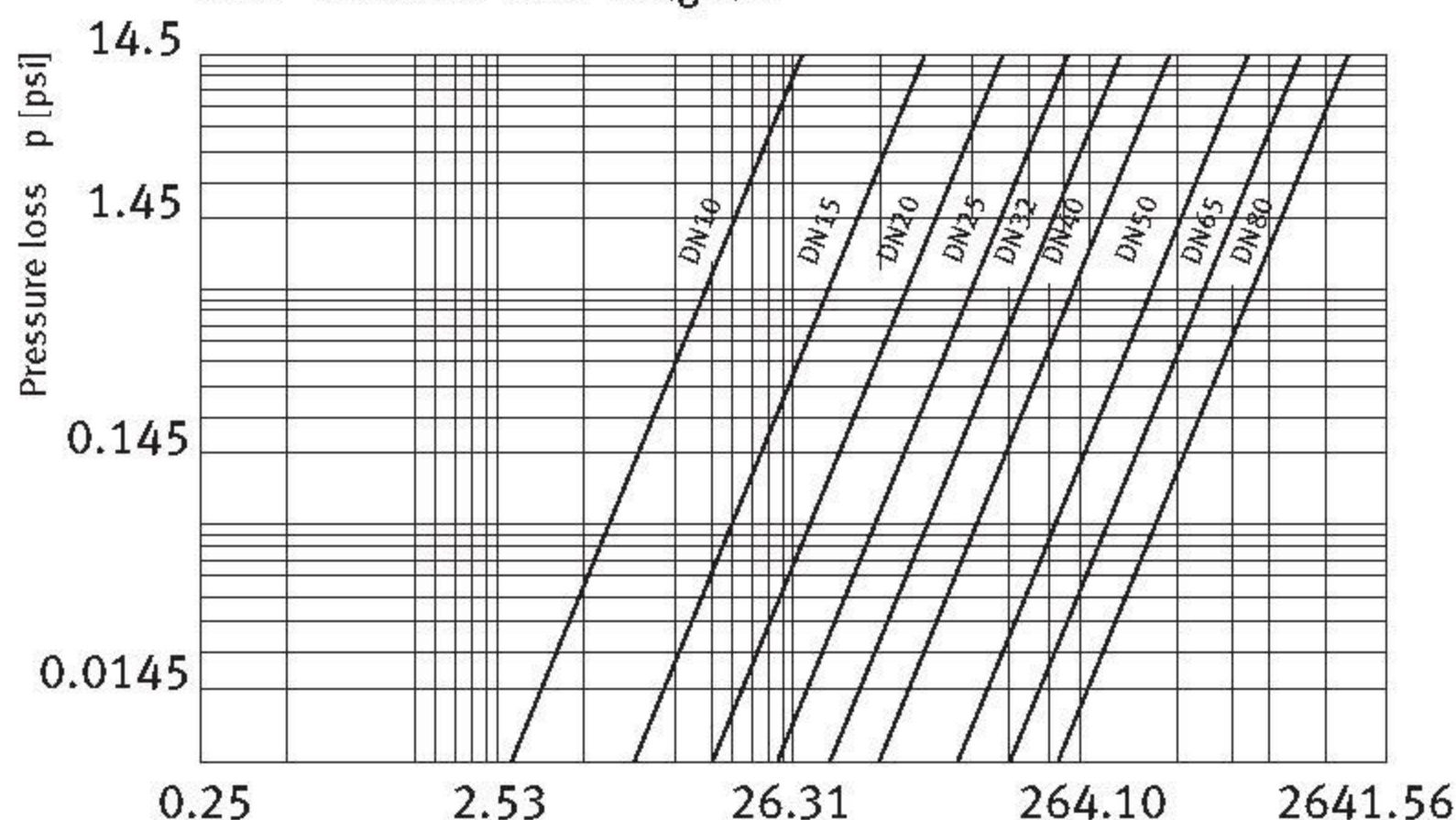


25.4mm = 1"
 1m³/h = 4.4 GPM
 1 bar = 14.5 psi
 1m³/h = 16.7 l/min
 1 bar = 0.1N/mm² = 10 m WS
 e.g. Kv x 0.07 = Cv F x 17.09 = Kv

SIZE	1/2"	3/4"	1"	1.25"	1.5"	2"	2.5"	3"	4"
PRESS. RATING IN PSI AT 72 F	232	232	232	232	232	232	232	150	120
Cv VALUE	15	30	48	74	157	210	366	518	518



Flow - Pressure loss - Diagram



Factor characteristics

