

T₄ PNEUMATIC DIAPHRAGM VALVE WITH VISUAL POSITION INDICATOR

FEATURES:

- Solid thermoplastic construction
- Maximum corrosion resistance
- High flow rate
- Fast opening and closing
- Optical position indication
- Inlet/outlet stainless steel
- NAMUR pad mount for easy installation of solenoid valve
- Excellent choice for heavy cycling applications



The Praher Diaphragm valve T₄ provides durability and reliability and is specially designed to suit high demand processes found in water treatment systems or chemical and abrasion applications.

Purposely constructed to accommodate contaminated and aggressive materials and liquids. Its top entry design permits in-line maintenance. The Praher Diaphragm Valve provides the best performance/price ratio in the industry.

OPTIONS:

- Solenoid valves in all NEMA ratings and voltages
- Limit switches for interface with computers and other equipment
- Manual over-ride for Air-to-Spring
- MIN/MAX stroke limiter
- Positioners and CPVC body available soon

SPECIFICATIONS:

- Sizes: 1/2" - 2" (DN15 - DN50)
- Body material : PVC, PP (tan or natural), PVDF
- Bonnet /actuator material: PA-GF
- Sealing material: EPDM, FPM or PTFE/EPDM

Operating pressure: 150 psi

Connections:

- Solvent cement socket (ASTM, DIN, JIS)
- Butt fusion ends (DIN), PP, PVDF
- Flanged (ASTM, DIN, ASA, JIS)

Actuator material: PA-GF

Actuator inlet/outlet: stainless steel (304)

Ambient temperature: -10°C - +60°C (14°F-140°F)

Control pressure: 52 - 120 psi

Mounting: in every possible direction, preferable actuator above

Control function:

- NC: fail safe closed
- NO: fail safe open
- DA: double acting

APPLICATIONS:

- Contaminated and aggressive fluids
- Water treatment
- Process technology
- Chemical industry
- Environmental technology
- Systems engineering

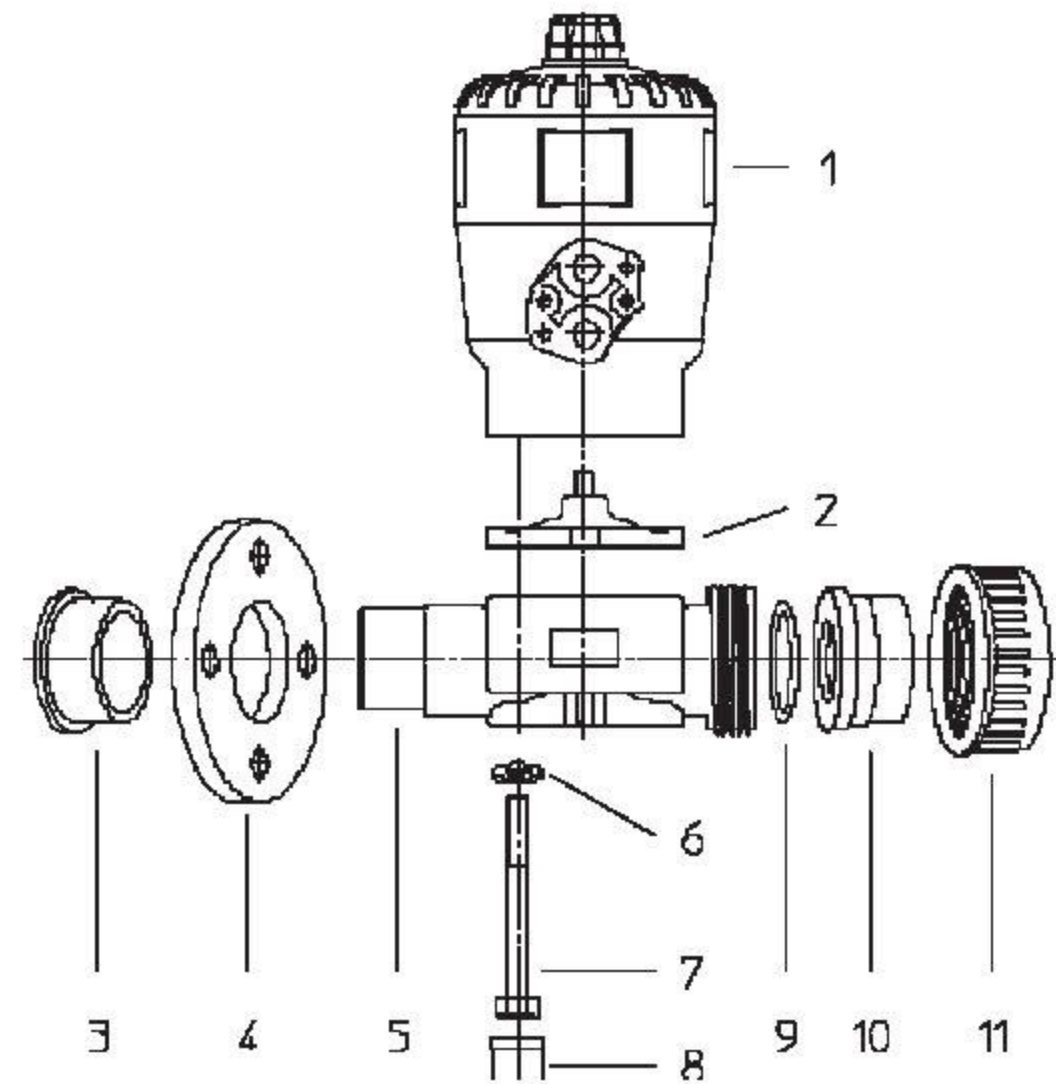
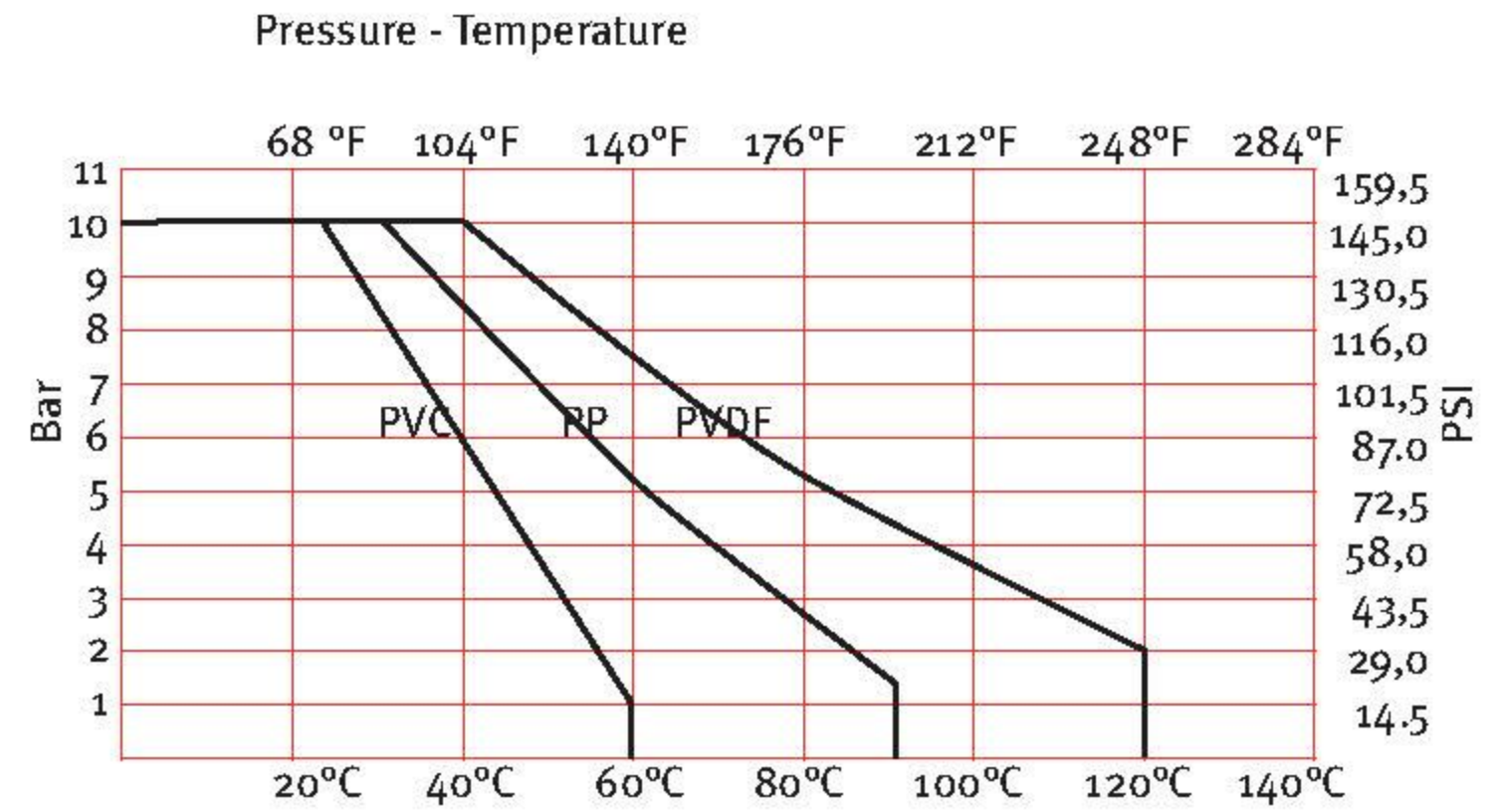
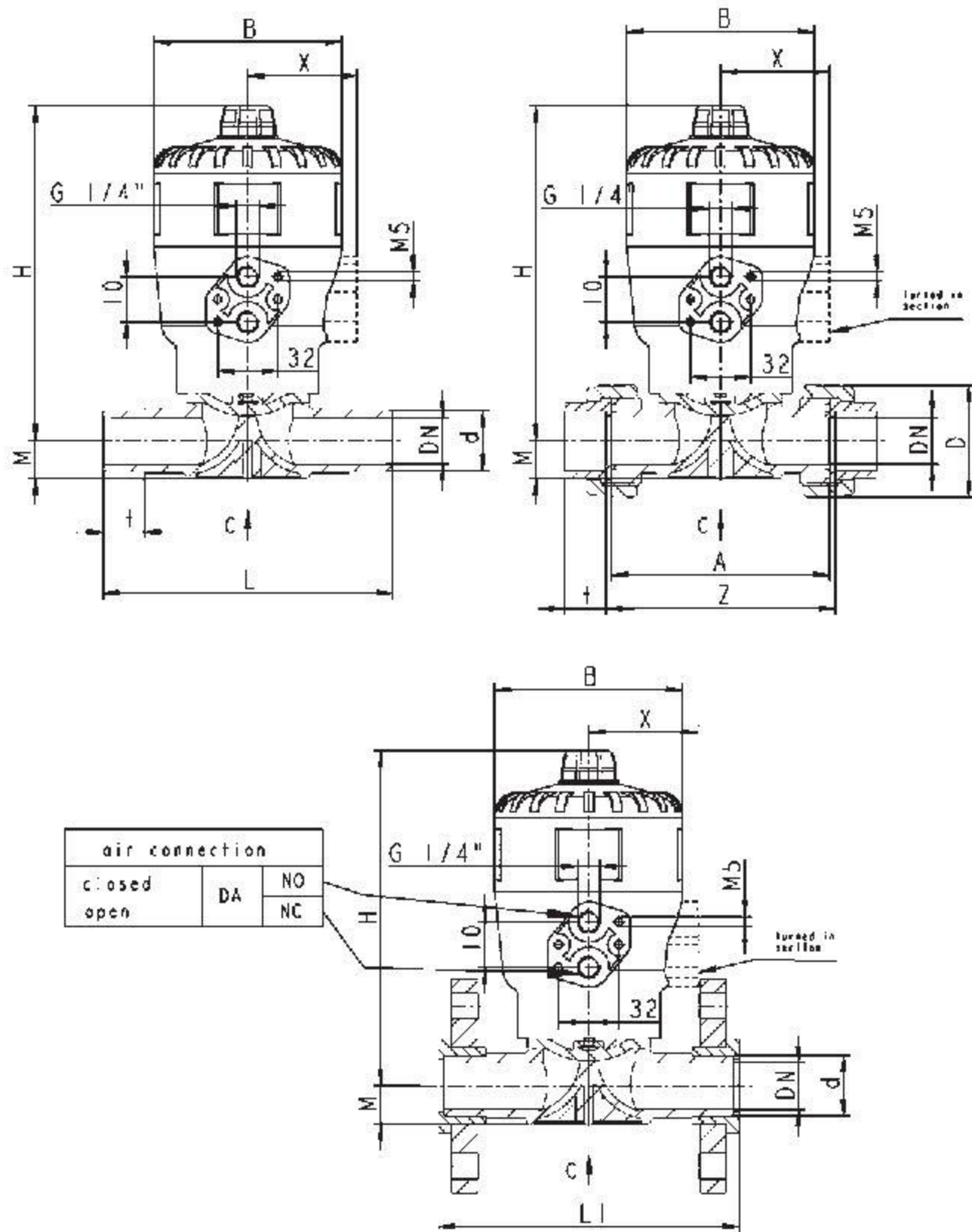
ENGINEERING SPECIFICATION:

Series T₄ actuated diaphragm valves shall be of solid thermoplastic construction for body (Molded Flanged or True-Union socket, threaded or butt end connectors) and actuator housing of glass filled polyamide.

The actuator shall come standard with a visual position indicator and pad mount according to NAMUR for solenoid mounting. Air supply shall be 70 – 120 psi.

The valve body shall have a panel mount feature for support. PVC conforming to ASTM D1784 Cell Classification 12454-A, PP conforming to ASTM D4101 Cell Classification PP0210B67272, and PVDF conforming to ASTM D3222 Cell Classification Type II. PVC, PP and PVDF shall be rated to 150 psi for elastomeric and PTFE diaphragms at 70° F, as manufactured by Praher Valves.

T4 PNEUMATIC DIAPHRAGM VALVE WITH VISUAL POSITION INDICATOR



Parts:

- 01. Pneumatic actuator
- 02. Diaphragm
- 03. Solvent cement socket
- 04. Flange
- 05. Valve housing

- 06. Shim (316 SS)
- 07. Screw (316 SS)
- 08. Cover (PP)
- 09. O-Ring (EPDM, Viton, Teflon®)
- 10. Solvent cement socket
- 11. Union nut

Cv VALUES

1/2"	6.5
3/4"	10
1"	16
1 1/4"	32
1 1/2"	37
2"	62

size	1/2"	3/4"	1"	1 1/4"	1 1/2"	2"
d	mm 20	25	32	40	50	63
DN	mm 15	20	25	32	40	50
A	mm 90,0	108,0	116,0	136,0	154,0	184,0
D	mm 43,0	53,0	60,0	74,0	83,0	103,0
F	mm 25,0	25,0	25,0	45,0	45,0	45,0
K	mm M6	M6	M6	M8	M8	M8
L	mm 124,0	144,0	154,0	174,0	194,0	224,0
L1	mm 130,0	150,0	160,0	180,0	200,0	230,0
M	mm 17,0	17,0	21,0	33,0	33,0	40,5
t	mm 16,0	19,0	22,0	26,0	31,0	38,0
Z	mm 96,0	114,0	122,0	142,0	160,0	190,0
Actuator	K-52	K-62	K-82	K-122	K-122	K-123
B	mm 63,0	80,0	100,0	160,0	160,0	160,0
H	mm 126,5	151,5	265,5	278,0	278,0	282,5
X	mm 44,0	50,0	58,0	92,0	92,0	92,0
Actuator	K-62	K-82	-	-	-	-
B	mm 80,0	100,0	-	-	-	-
H	mm 148,0	174,0	-	-	-	-
X	mm 50,0	58,0	-	-	-	-