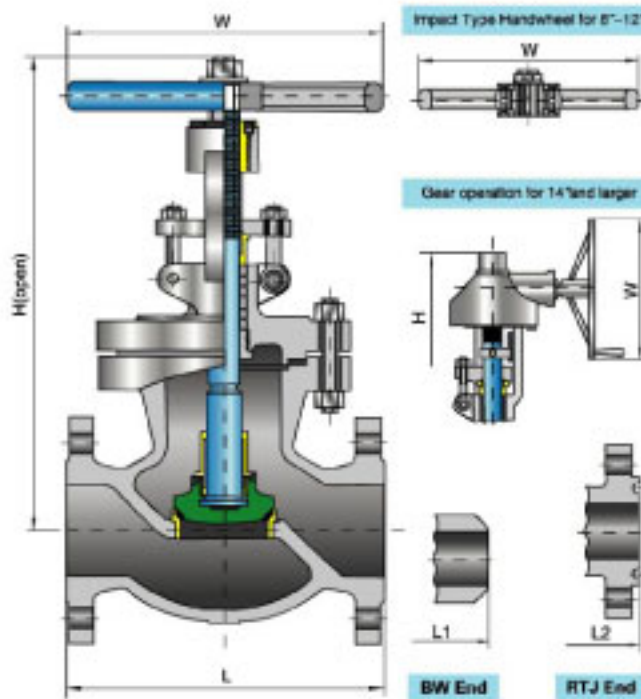


# Cast Steel Bolted BonneGlobe Valves

## Class 150

**Bolted Bonnet, Outside Screw And Yoke, Rising Stem, Plug Type Disc.**



### Parts List

PART	MATERIALS		
Body	ASTM A216 WCB	ASTM A351 CF8	ASTM A351 CF8M
Seat ring	A105+STL	ASTM A351 CF8	ASTM A351 CF8M
Disc	WCB+13Cr	ASTM A351 CF8	ASTM A351 CF8M
Stem	ASTM A182 F6a	ASTM A182 F304	ASTM A182 F316
Disc nut	ASTM A216 WCB	ASTM A351 CF8	ASTM A351 CF8M
Bonnet bolt	ASTM A193 B7	ASTM A193 B8	ASTM A193 B8M
Bonnet nut	ASTM A194 2H	ASTM A194 8	ASTM A194 8M
Gasket	SS304+Graphite	SS304+Graphite	SS316+Graphite
Back seat	ASTM A182 F6a	ASTM A182 F304	ASTM A182 F316
Bonnet	ASTM A216 WCB	ASTM A351 CF8	ASTM A351 CF8M
Packing	Graphite	Graphite	Graphite
Gland eyebolt	ASTM A193 B7	ASTM A193 B8	ASTM A193 B8M
Eyebolt nut	ASTM A194 2H	ASTM A194 8	ASTM A194 8M
Eyebolt pin	ASTM A36	304 S.S.	316 S.S.
Gland	ASTM A182 F6a	ASTM A182 F304	ASTM A182 F316
Gland flange	ASTM A216 WCB	ASTM A351 CF8	ASTM A351 CF8M
Stem nut	ASTM A439 D2	ASTM A439 D2	ASTM A439 D2
Handwheel	Ductile Iron	Ductile Iron	Ductile Iron
Handwheel nut	Carbon steel	Carbon steel	Carbon steel

### Features

- Face to face and end to end dimension: ASME B16.10
- Flange dimension: ASME B16.5
- Shell wall thickness: API 600
- B.W. end to ASME B16.25
- 12" and smaller valves have a one-piece bonnet and yoke design
- 14" and larger valves have a two-piece bonnet and yoke design.

### Dimensions And Weights

Valve Size	in.	1 1/2	2	2 1/2	3	4	5	6	8	10	12	14	16
	mm	40	50	65	80	100	125	150	200	250	300	350	400
<b>L-L1 (RF-BW)</b>	in.	6.5	8	8.5	9.5	11.5	14	16	19.5	24.5	27.5	31	36
	mm	165	203	216	241	292	356	406	495	622	698	787	914
<b>L2 (RTJ)</b>	in.	7.0	8.5	9	10	12	14.5	16.5	20	25	28	31.5	36.5
	mm	178	216	229	254	305	368	419	508	635	711	800	927
<b>H (open)</b>	in.	14.25	14.69	15.38	16.56	20.25	21.19	22.31	24.63	28	39	51	63.75
	mm	326	373	390	421	515	538	567	626	712	990	1295	1619
<b>W</b>	in.	7.88	7.88	9.88	9.88	11.81	11.81	13.75	15.75	17.75	20	24	24
	mm	200	200	250	250	300	300	350	400	450	500	610	610
<b>WT (kg)</b>	RF	19	22	29	42	64	77	105	154	288	507	860	950
	BW	16	19	25	34	49	65	82	131	249	430	600	850