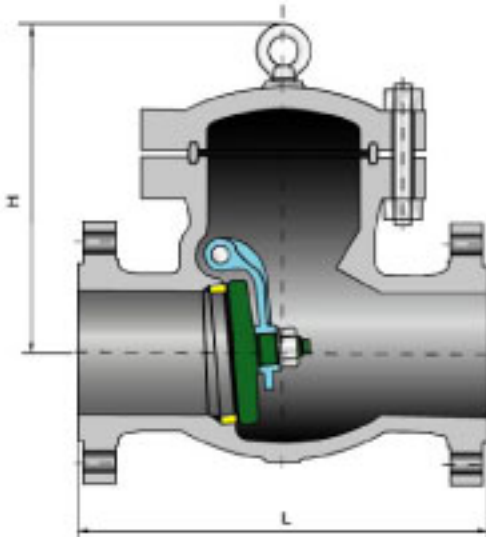


Cast Steel Bolted Cover Check Valves

Class 900/1500/2500

Bolted Cover, Swing Type Disc.

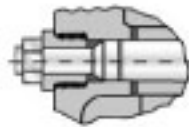


Parts List

PART	MATERIALS		
Body	ASTM A216 WCB	ASTM A351 CFB	ASTM A351 CF8M
Seat ring	A105+STL	ASTM A351 CFB	ASTM A351 CF8M
Disc	WCB+13Cr	ASTM A351 CFB	ASTM A351 CF8M
Hinge	ASTM A216 WCB	ASTM A351 CFB	ASTM A351 CF8M
Nut	ASTM A194 2H	ASTM A194 8	ASTM A194 8M
Hinge pin	ASTM A182 F6a	ASTM A182 F304	ASTM A182 F316
Bonnet	ASTM A216 WCB	ASTM A351 CFB	ASTM A351 CF8M
Bonnet bolt	ASTM A193 B7	ASTM A193 B8	ASTM A193 B8M
Bonnet nut	ASTM A194 2H	ASTM A194 8	ASTM A194 8M
Gasket	SS304+Graphite	SS304+Graphite	SS316+Graphite
Eye bolt	Cast Steel	Cast Steel	Cast Steel

Features

- Face to face and end to end dimension: ASME B 16.10
- Flange dimension: ASME B 16.5
- Shell wall thickness: API 600
- B.W. end to ASME B 16.25



BW End

RTJ End

Dimensions And Weights

Valve Size	in. mm	2	2 1/2	3	4	6	8	10	12	
		50	65	80	100	150	200	250	300	
900lb	L-L1 (RF-BW)	in. mm	14.5 368	16.5 419	18 457	21.5 546	27.75 705	32.75 832	39 991	44.5 1130
	L2 (RTJ)	in. mm	14.52 371	16.62 422	18.12 459	21.62 549	28 711	33.15 842	39.4 1000	45.12 1146
	H	in. mm	12.63 321	13.75 348	14.28 365	16.5 419	20.13 511	26.75 680	29.75 756	33.75 857
	WT (kg)	RF BW	70 50	160 71	90 68	150 113	305 230	516 387	810 622	1120 901
1500lb	L-L1 (RF-BW)	in. mm	14.5 368	16.5 419	18.5 470	21.5 546	27.75 705	32.75 832	39 991	44.5 1130
	L2 (RTJ)	in. mm	14.52 371	16.62 422	18.62 473	21.62 549	28 711	33.15 842	39.4 1000	45.12 1146
	H	in. mm	12.63 321	13.75 348	14.28 365	16.5 419	20.13 511	26.75 680	29.75 756	33.75 857
	WT (kg)	RF BW	70 50	110 87	170 135	300 245	635 530	1190 965	1850 1480	2750 2180
2500lb	L-L1 (RF-BW)	in. mm	17.75 451	20 508	22.75 578	26.5 673	36 914	40.25 1022	50 1270	56 1422
	L2 (RTJ)	in. mm	17.87 454	20.25 514	23 584	26.88 683	36.5 927	40.87 1038	50.88 1292	56.88 1445
	H	in. mm	16.38 416	16.5 419	17.38 441	18.88 479	20.13 511	28 711	33.5 851	39.38 990
	WT (kg)	RF BW	150 120	240 195	350 280	650 540	1450 1200	2550 2200	3950 3150	5700 4550