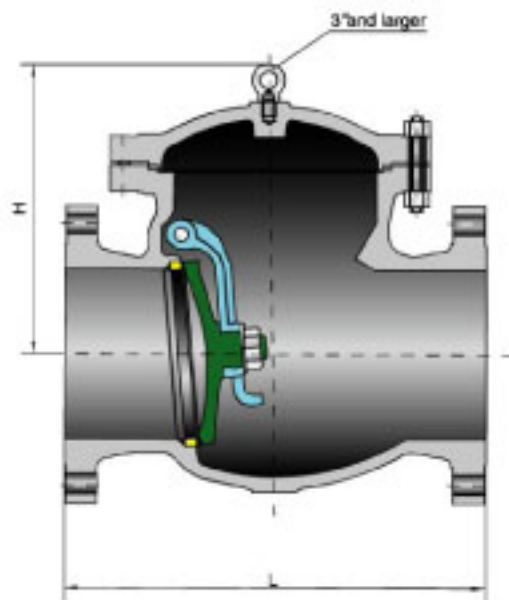


# Cast Steel Bolted Cover Check Valves

## Class 600

### Bolted Cover, Swing Type Disc.



### Parts List

PART	MATERIALS		
Body	ASTM A216 WCB	ASTM A351 CFB	ASTM A351 CF8M
Seat ring	A105+STL	ASTM A351 CFB	ASTM A351 CF8M
Disc	WCB+13Cr	ASTM A351 CFB	ASTM A351 CF8M
Hinge	ASTM A216 WCB	ASTM A351 CFB	ASTM A351 CF8M
Nut	ASTM A194 2H	ASTM A194 8	ASTM A194 8M
Hinge pin	ASTM A182 F6a	ASTM A182 F304	ASTM A182 F316
Bonnet	ASTM A216 WCB	ASTM A351 CFB	ASTM A351 CF8M
Bonnet bolt	ASTM A193 B7	ASTM A193 B8	ASTM A193 B8M
Bonnet nut	ASTM A194 2H	ASTM A194 8	ASTM A194 8M
Gasket	SS304+Graphite	SS304+Graphite	SS316+Graphite
Eye bolt	Cast Steel	Cast Steel	Cast Steel

### Features

- Face to face and end to end dimension: ASME B16.10
- Flange dimension:  
24" and smaller valves: ASME B16.5  
28" and larger valves: ASME B 16.47 series A
- Shell wall thickness:  
24" and smaller to API 600  
28" and larger to manufacturer's standard
- B.W. End to ASME B 16.25



BW End



RTJ End

### Dimensions And Weights

Valve Size	in.	2	2 1/2	3	4	5	6	8	10	12	14	16	18	20	24	26	28	30
	mm	50	65	80	100	125	150	200	250	300	350	400	450	500	600	650	700	750
L-L1 (RF-BW)	in.	11.5	13	14	17	15.75	22	21	31	33	35	39	43	47	55	57	63	65
	mm	292	330	356	432	400	559	660	787	838	889	991	1092	1194	1397	1448	1600	1651
L2 (RTJ)	in.	11.62	13.12	14.12	17.12	16.37	22.12	26.12	31.12	33.12	35.12	39.12	43.12	47.25	55.38	57.5	63.5	65.5
	mm	295	333	359	435	416	562	663	790	841	892	994	1095	1200	1407	1461	1613	1664
H (open)	in.	8.25	8.63	10.5	11.75	11.83	15	18.75	21.63	22.83	26.38	30.13	35.25	38.38	43.75	48	53.13	56.25
	mm	210	219	267	299	295	381	476	549	575	670	765	895	975	1111	1219	1349	1429
WT (kg)	RF	40	55	72	120	110	270	420	620	810	1100	1450	1800	2100	3000	3500	4100	5000
	BW	31	45	60	85	70	225	365	500	715	880	1140	1450	1650	2300	3000	3500	4300