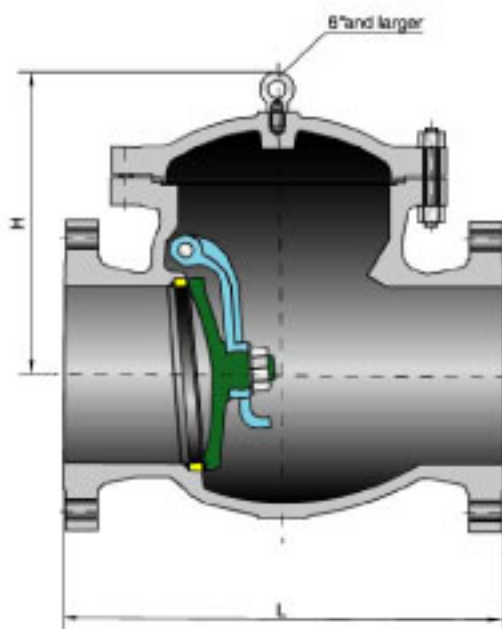


Cast Steel Bolted Cover Check Valves

Class 150

Bolted Cover, Swing Type Disc.

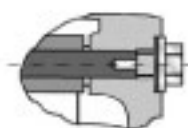


Parts List

PART	MATERIALS		
	ASTM A216 WCB	ASTM A351 CF8	ASTM A351 CF8M
Body	ASTM A216 WCB	ASTM A351 CF8	ASTM A351 CF8M
Seat ring	A105+STL	ASTM A351 CF8	ASTM A351 CF8M
Disc	WCB+13Cr	ASTM A351 CF8	ASTM A351 CF8M
Hinge	ASTM A216 WCB	ASTM A351 CF8	ASTM A351 CF8M
Nut	ASTM A194 2H	ASTM A194 8	ASTM A194 8M
Hinge pin	ASTM A182 F6a	ASTM A182 F304	ASTM A182 F316
Bonnet	ASTM A216 WCB	ASTM A351 CF8	ASTM A351 CF8M
Bonnet bolt	ASTM A193 B7	ASTM A193 B8	ASTM A193 B8M
Bonnet nut	ASTM A194 2H	ASTM A194 8	ASTM A194 8M
Gasket	SS304+Graphite	SS304+Graphite	SS316+Graphite
Eye bolt	Cast Steel	Cast Steel	Cast Steel

Features

- Face to face and end to end dimension: ASME B16.10
- Flange dimension:
24" and smaller valves: ASME B16.5
28" and larger valves: ASME B 16.47 series A
- Shell wall thickness:
24" and smaller to API 600
28" and larger to manufacturer's standard
- B.W.End to ASME B 16.25



BW End



RTJ End

Dimensions And Weights

Valve Size	in.	1 1/2	2	2 1/2	3	4	5	6	8	10	12	14	16	18	20	24	30	36
	mm	40	50	65	80	100	125	150	200	250	300	350	400	450	500	600	750	900
L-L1 (RF-BW)	in.	6.5	8	8.5	9.5	11.5	13	14	19.5	24.5	27.5	31	34	38.5	38.5	51	60	77
	mm	165	203	216	241	292	330	356	495	622	698	787	864	978	978	1295	1524	1956
L2 (RTJ)	in.	7.0	8.5	9	10	12	13.5	14.5	20	25	28	31.5	34.5	39	39	51.5	60.5	77.5
	mm	178	216	229	254	305	343	368	508	635	711	800	877	991	991	1308	1537	1969
H (open)	in.	6.69	6.68	7	7.5	8.63	9.25	12.75	15.13	17.63	21.25	22	24.63	25.63	26.63	34.63	45.25	53.13
	mm	170	175	178	191	219	235	324	384	448	540	559	626	651	676	880	1149	1349
WT (kg)	RF	18	20	24	35	55	84	96	160	245	345	510	660	850	1050	1450	2350	3350
	BW	12	14	17	26	37	52	80	133	213	294	440	568	750	920	1270	2250	3150