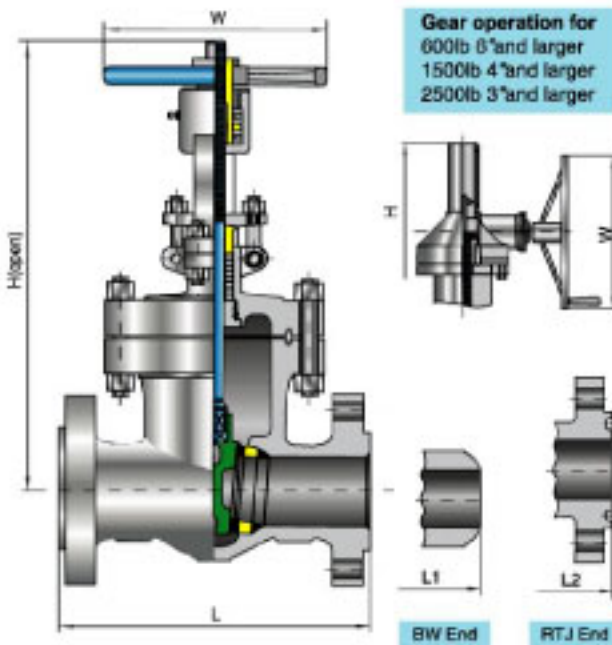


Cast Steel Bolted Bonnet Gate Valves

Class 900/1500/2500

Bolted Bonnet, Outside Screw And Yoke, Rising Stem, Non-rising Handwheel, Flexible Wedge.



Parts List

| PART | MATERIALS | | |
|---------------|----------------|----------------|----------------|
| Body | ASTM A216 WCB | ASTM A351 CF8 | ASTM A351 CF8M |
| Seat ring | A106+STL | ASTM A351 CF8 | ASTM A351 CF8M |
| Wedge | WCB+13Cr | ASTM A351 CF8 | ASTM A351 CF8M |
| Stem | ASTM A182 F6a | ASTM A182 F304 | ASTM A182 F316 |
| Back seal | ASTM A182 F6a | ASTM A182 F304 | ASTM A182 F316 |
| Packing | Graphite | Graphite | Graphite |
| Gland | ASTM A182 F6a | ASTM A182 F304 | ASTM A182 F316 |
| Gland eyebolt | ASTM A193 B7 | ASTM A193 B8 | ASTM A193 B8M |
| Eyebolt nut | ASTM A194 2H | ASTM A194 B | ASTM A194 BM |
| Eyebolt pin | ASTM A36 | 304 S.S. | 316 S.S. |
| Gland flange | ASTM A216 WCB | ASTM A351 CF8 | ASTM A351 CF8M |
| Bonnet bolt | ASTM A193 B7 | ASTM A193 B8 | ASTM A193 B8M |
| Bonnet nut | ASTM A194 2H | ASTM A194 B | ASTM A194 BM |
| Gasket | SS304+Graphite | SS304+Graphite | SS316+Graphite |
| Bonnet | ASTM A216 WCB | ASTM A351 CF8 | ASTM A351 CF8M |
| Nipple | Carbon steel | Carbon steel | Carbon steel |
| Stem nut | ASTM A439 D2 | ASTM A439 D2 | ASTM A439 D2 |
| Yoke | ASTM A216 WCB | ASTM A216 WCB | ASTM A216 WCB |
| Handwheel | Ductile Iron | Ductile Iron | Ductile Iron |
| Handwheel nut | Carbon steel | Carbon steel | Carbon steel |
| Bearing | Steel | Steel | Steel |

Features

- Face to face and end to end dimension: ASME B16.10
- Flange dimension: ASME B16.5
- Shell wall thickness: API 600
- B.W. end to ASME B16.25
- 4" and smaller valves have a one-piece bonnet and yoke design
- 6" and larger valves have a two-piece bonnet and yoke design.

Dimensions And Weights

| Valve Size | in. mm | 2 | 2 1/2 | 3 | 4 | 6 | 8 | 10 | 12 |
|------------|--------------|--------------|--------------|--------------|--------------|---------------|---------------|---------------|---------------|
| | | 50 | 65 | 80 | 100 | 150 | 200 | 250 | 300 |
| 900lb | L-L1 (RF-BW) | 14.5 368 | 16.5 419 | 15 381 | 18 457 | 24 610 | 29 737 | 33 838 | 36 915 |
| | L2 (RTJ) | 14.62 371 | 16.62 422 | 15.12 384 | 18.12 459 | 24.12 613 | 29.12 740 | 33.12 841 | 36.12 915 |
| | H (open) | 21.55 547 | 27.50 700 | 25.5 715 | 28.69 729 | 41 1041 | 49.63 1260 | 62.63 1590 | 70.69 1795 |
| | W | 11.81 300 | 14 355 | 15.75 400 | 17.69 450 | 22.06 560 | 24 610 | 24 610 | 24 610 |
| | WT (kg) | 90 82 | 110 83 | 123 108 | 148 122 | 420 359 | 460 565 | 1160 980 | 1700 1450 |
| | 1500lb | L-L1 (RF-BW) | 14.5 368 | 16.5 419 | 18.5 470 | 21.5 546 | 27.75 706 | 32.75 832 | 39 991 |
| L2 (RTJ) | | 14.62 371 | 16.62 422 | 18.62 473 | 21.62 549 | 28 711 | 33.13 841 | 39.38 1000 | 45.12 1145 |
| H (open) | | 22.63 574 | 27.58 700 | 31.75 800 | 34.94 887 | 42.5 1079 | 53.94 1370 | 59.81 1520 | 66 1661 |
| W | | 13.75 350 | 15.75 400 | 17.75 450 | 22.06 560 | 24 610 | 24 610 | 30 760 | 30 760 |
| WT (kg) | | 117 83 | 175 144 | 240 185 | 337 286 | 680 584 | 1228 978 | 2278 1990 | 3260 2860 |
| 2500lb | | L-L1 (RF-BW) | 17.75 451 | 20 508 | 22.75 578 | 26.5 673 | 36 914 | 40.25 1022 | 50 1270 |
| | L2 (RTJ) | 17.87 454 | 20.25 514 | 23 584 | 26.88 683 | 36.5 927 | 40.87 1038 | 50.88 1292 | — |
| | H (open) | 27.58 700 | 29.5 750 | 34.63 887 | 42.5 1079 | 53.94 1370 | 60.25 1530 | 80.5 2045 | — |
| | W | 13.75 350 | 17.75 450 | 22.06 560 | 28.38 720 | 18.13 460 | 24 610 | 30 760 | — |
| | WT (kg) | 132 89 | 206 155 | 266 192 | 496 350 | 1550 1230 | 2396 1980 | 4460 3700 | — |