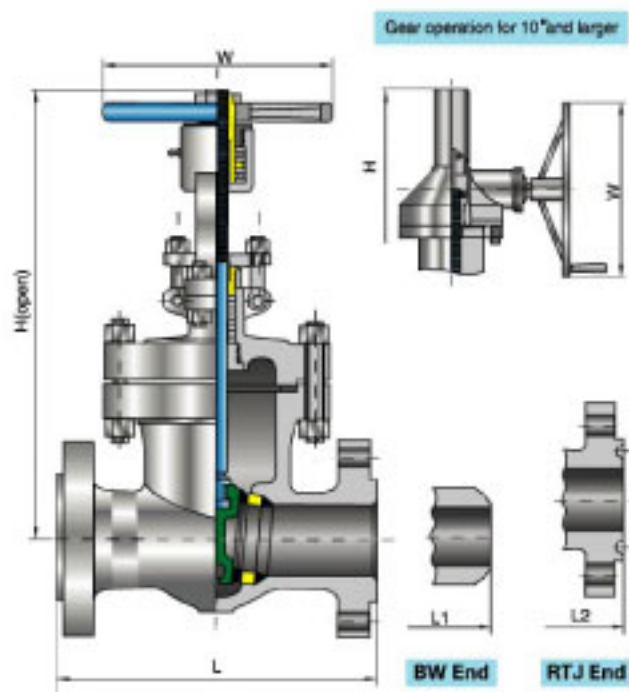


Cast Steel Bolted Bonnet Gate Valves

Class 600

Bolted Bonnet, Outside Screw And Yoke, Rising Stem, Non-rising Handwheel, Flexible Wedge.

Parts List



| PART | MATERIALS | | |
|---------------|----------------|----------------|----------------|
| Body | ASTM A216 WCB | ASTM A351 CF8 | ASTM A351 CF8M |
| Seat ring | A105+STL | ASTM A351 CF8 | ASTM A351 CF8M |
| Wedge | WCB+13Cr | ASTM A351 CF8 | ASTM A351 CF8M |
| Stem | ASTM A182 F6a | ASTM A182 F304 | ASTM A182 F316 |
| Back seal | ASTM A182 F6a | ASTM A182 F304 | ASTM A182 F316 |
| Packing | Graphite | Graphite | Graphite |
| Gland | ASTM A182 F6a | ASTM A182 F304 | ASTM A182 F316 |
| Gland eyebolt | ASTM A193 B7 | ASTM A193 B8 | ASTM A193 B8M |
| Eyebolt nut | ASTM A194 2H | ASTM A194 8 | ASTM A194 8M |
| Eyebolt pin | ASTM A36 | 304 S.S. | 316 S.S. |
| Gland flange | ASTM A216 WCB | ASTM A351 CF8 | ASTM A351 CF8M |
| Bonnet bolt | ASTM A193 B7 | ASTM A193 B8 | ASTM A193 B8M |
| Bonnet nut | ASTM A194 2H | ASTM A194 8 | ASTM A194 8M |
| Gasket | SS304+Graphite | SS304+Graphite | SS316+Graphite |
| Bonnet | ASTM A216 WCB | ASTM A351 CF8 | ASTM A351 CF8M |
| Nipple | Carbon steel | Carbon steel | Carbon steel |
| Stem nut | ASTM A439 D2 | ASTM A439 D2 | ASTM A439 D2 |
| Yoke | ASTM A216 WCB | ASTM A216 WCB | ASTM A216 WCB |
| Handwheel | Ductile iron | Ductile iron | Ductile iron |
| Handwheel nut | Carbon steel | Carbon steel | Carbon steel |
| Bearing | Steel | Steel | Steel |

Features

- Face to face and end to end dimension: ASME B16.10
- Flange dimension: 24" and smaller to ASME B16.5
- Shell wall thickness: 24" and smaller to API 600

- B.W.end to ASME B16.25
- 6" and smaller valves have a one-piece bonnet and yoke design
- 8" and larger valves have a two-piece bonnet and yoke design.

Dimensions And Weights

| Valve Size | in. | 2 | 2 1/2 | 3 | 4 | 5 | 6 | 8 | 10 | 12 | 14 | 16 | 18 | 20 | 24 |
|--------------|-----|-------|-------|-------|-------|-------|-------|-------|-------|-------|-------|-------|-------|-------|-------|
| | mm | 50 | 65 | 80 | 100 | 125 | 150 | 200 | 250 | 300 | 350 | 400 | 450 | 500 | 600 |
| L-L1 (RF-BW) | in. | 11.5 | 13 | 14 | 17 | 20 | 22 | 26 | 31 | 33 | 36 | 39 | 43 | 47 | 56 |
| | mm | 292 | 330 | 356 | 432 | 508 | 559 | 660 | 787 | 838 | 889 | 991 | 1092 | 1194 | 1367 |
| L2 (RTJ) | in. | 11.82 | 13.12 | 14.12 | 17.12 | 20.12 | 22.12 | 26.12 | 31.12 | 33.12 | 36.12 | 39.12 | 43.12 | 47.25 | 55.38 |
| | mm | 295 | 333 | 359 | 435 | 511 | 562 | 663 | 790 | 841 | 892 | 994 | 1095 | 1200 | 1407 |
| H (open) | in. | 16.63 | 21.75 | 23.38 | 29.06 | 30.3 | 38.19 | 44.19 | 52.58 | 59.81 | 66.13 | 72.75 | 80.13 | 88.81 | 113 |
| | mm | 474 | 553 | 593 | 713 | 770 | 970 | 1122 | 1336 | 1519 | 1730 | 1835 | 2296 | 2510 | 3022 |
| W | in. | 9.88 | 9.88 | 11.81 | 13.75 | 15.7 | 19.69 | 22.06 | 28.58 | 24 | 24 | 24 | 24 | 30 | 30 |
| | mm | 250 | 250 | 300 | 350 | 400 | 500 | 560 | 720 | 610 | 610 | 610 | 610 | 760 | 760 |
| WT (kg) | RF | 41 | 58 | 68 | 131 | 7.56 | 253 | 413 | 623 | 764 | 1283 | 1620 | 2150 | 2540 | 4060 |
| | BW | 35 | 50 | 66 | 104 | 132 | 208 | 329 | 496 | 637 | 1120 | 1448 | 1828 | 2201 | 3360 |