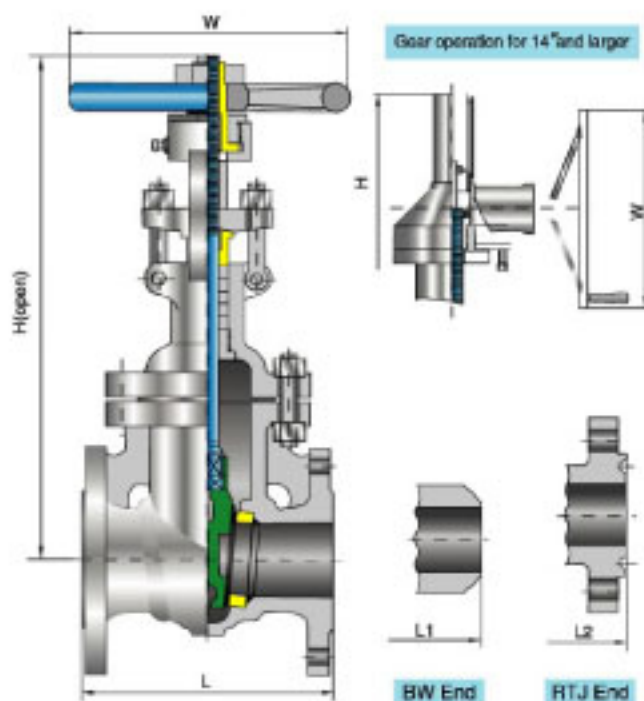


# Cast Steel Bolted Bonnet Gate Valves

**Class 150**

**Bolted Bonnet, Outside Screw And Yoke, Rising Stem, Non-rising Handwheel, Flexible Wedge.**

## Parts List



PART	MATERIALS		
Body	ASTM A216 WCB	ASTM A351 CFB	ASTM A351 CF8M
Seat ring	A106-S1L	ASTM A351 CFB	ASTM A351 CF8M
Wedge	WCB+13Cr	ASTM A351 CFB	ASTM A351 CF8M
Stem	ASTM A182 F6a	ASTM A182 F304	ASTM A182 F316
Back seat	ASTM A182 F6a	ASTM A182 F304	ASTM A182 F316
Packing	Graphite	Graphite	Graphite
Gland	ASTM A182 F6a	ASTM A182 F304	ASTM A182 F316
Gland eyebolt	ASTM A193 B7	ASTM A193 B8	ASTM A193 B8M
Eyebolt nut	ASTM A194 2H	ASTM A194 B	ASTM A194 B8M
Eyebolt pin	ASTM A36	304 S.S.	316 S.S.
Gland flange	ASTM A216 WCB	ASTM A351 CFB	ASTM A351 CF8M
Bonnet bolt	ASTM A193 B7	ASTM A193 B8	ASTM A193 B8M
Bonnet nut	ASTM A194 2H	ASTM A194 B	ASTM A194 B8M
Gasket	SS304+Graphite	SS304+Graphite	SS316+Graphite
Bonnet	ASTM A216 WCB	ASTM A351 CFB	ASTM A351 CF8M
Nipple	Carbon steel	Carbon steel	Carbon steel
Stem nut	ASTM A439 D2	ASTM A439 D2	ASTM A439 D2
Yoke	ASTM A216 WCB	ASTM A216 WCB	ASTM A216 WCB
Handwheel	Ductile Iron	Ductile Iron	Ductile Iron
Handwheel nut	Carbon steel	Carbon steel	Carbon steel

## Features

- Face to face and end to end dimension: 36" and smaller to ASME B16.10
- Flange dimension: 24" and smaller to ASME B16.5, 28" and larger to ASME B16.47 series A
- Shell wall thickness: 28" and smaller to API600, 28" and larger to manufacturer's standard
- B.W. end to ASME B16.25
- 8" and smaller valves have a one-piece bonnet and yoke design
- 10" and larger valves have a two-piece bonnet and yoke design.

## Dimensions And Weights

Valve Size	in.	1 1/2	2	2 1/2	3	4	5	6	8	10	12	14	16	18	20	24	28	30	32	36
	mm	40	50	65	80	100	125	150	200	250	300	350	400	450	500	600	700	750	800	900
<b>L (RF)</b>	in.	6.5	7	7.5	8	9	10	10.5	11.5	13	14	15	16	17	18	20	24	24	26	28
	mm	165	178	190	203	229	254	267	292	330	356	381	406	432	457	508	610	610	660	711
<b>L1 (BW)</b>	in.	6.5	8.5	9.5	11.13	12	15	15.88	16.5	18	19.75	22.5	24	26	28	32	36	36	38	40
	mm	165	216	241	283	305	381	403	419	457	502	572	610	660	711	813	914	914	965	1016
<b>L2 (RTJ)</b>	in.	7.0	7.5	8	8.5	9.5	10.5	11	12	13.5	14.5	15.5	16.5	17.5	18.5	20.5	24.5	24.5	26.5	28.5
	mm	178	191	203	216	242	267	279	305	343	368	394	419	445	470	521	622	622	673	724
<b>H (open)</b>	in.	15.7	16.13	18.56	20.94	24.13	27.94	31.75	39	46.69	55.31	63.56	71.31	78.19	87	106.25	119.31	130.56	137.25	150.56
	mm	392	409	472	532	612	710	806	990	1186	1405	1615	1811	1986	2210	2696	3030	3317	3487	3825
<b>W</b>	in.	7.86	7.86	7.86	9.86	9.86	11.81	11.81	13.75	17.69	19.69	18.13	18.13	18.13	24	24	24	24	24	30
	mm	200	200	200	250	250	300	300	350	450	500	460	460	460	610	610	610	610	610	760
<b>WT (kg)</b>	RF	18.5	20	30	36	53	71	85	136	220	323	387	553	660	810	1250	1931	2380	2480	3000
	BW	15.5	17	26	29	46	66	77	116	202	294	350	506	575	720	1130	1765	2028	2280	3080